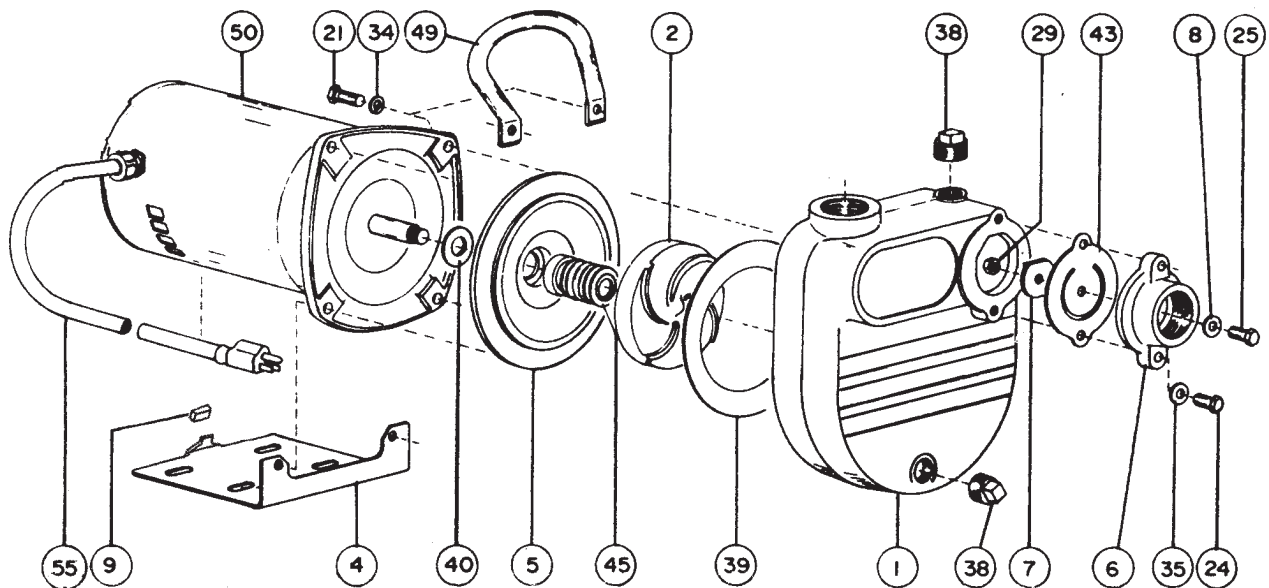


**RL-50 Series**  
Self-Priming Utility Pump  
Pompes à Amorçage Automatique  
Bombas Autobecantes para Efluentes



Ref.# No. de ref. # de ref.	Code# No. de code Codigo #	Qty	Description	Description	Déscription
1	438491	1	Casing, red	Boitier, rouge	Cuerpo, rojo
2	438105	1	Impeller	Roue	Propulsor
4	438245	1	Mounting bracket	Support de fixation	Soporte de montaje
5	438251	1	Seal plate	Plaque d'étanchéité	Placa del sello
6	438415	1	Check valve	Clapet de retenue	Válvula de retención
7	238330	1	Top weight	Gros poids	Pesa superior
8	175000	1	Washer, 1/4" I.D.	Rondelle, dia. int.:1/4 po.	Arandela 1/4" I.D.
9	246801	1	End cap	Garniture antivibratoire	Amordiguador de vibración
21	120030	4	Bolt, 3/8" UNC x 1-1/2"	Boulon 3/8 x 1 -1/2 po. UNC	Perno, 3/8" UNC x 1-1/2"
24	119780	2	Bolt, 5/16" UNC x 1"	Boulon 5/16 x 1 po. UNC	Perno, 5/16" UNC x 1"
25	225720	1	Bolt, 1/4" UNC x 5/8"	Boulon 1/4 x 5/8 po. UNC	Perno, 1/4" UNC x 5/8"
29	227810	1	Nut, 1/4" UNC	Ecrou, 1/4 po. UNC	Tuerca 1/4" UNC
34	176540	4	Spring washer, 3/8"	Rondelle de ressort, 3/8 po.	Arandela con resorte 3/8"
35	174220	2	Aluminum washer	Rondelle en aluminium	Arandela de aluminio
38	185640	2	Pipe plug, 1/2" NPT	Bouchon de vidange, 1/2 po. NPT	Tapón de tubería 1/2" NPT
39	193920	1	Gasket	Joint d'étanchéité	Junta
40	191790	1	Flinger	Bride	Anillo de goma
43	194390	1	Valve, rubber	Membrane de retenue em caoutchouc	Válvula, caucho
45	240104	1	Seal, 5/8"	Garniture mécanique d'étanchéité 5/8 po.	Seal, 5/8"
49	438247	1	Handle	Poignée	Manija
50	204073	1	Electric motor, 1/2 HP	Moteur électrique, 1/2 cv	Motor eléctrico, 1/2 HP