

OWNER'S MANUAL

RLGF Self Priming Centrifugal Pumps For liquid fertilizer

SAFETY WARNINGS



BEFORE OPERATING OR INSTALLING THIS PUMP, READ THIS MANUAL AND FOLLOW ALL SAFETY RULES AND OPERATING INSTRUCTIONS.

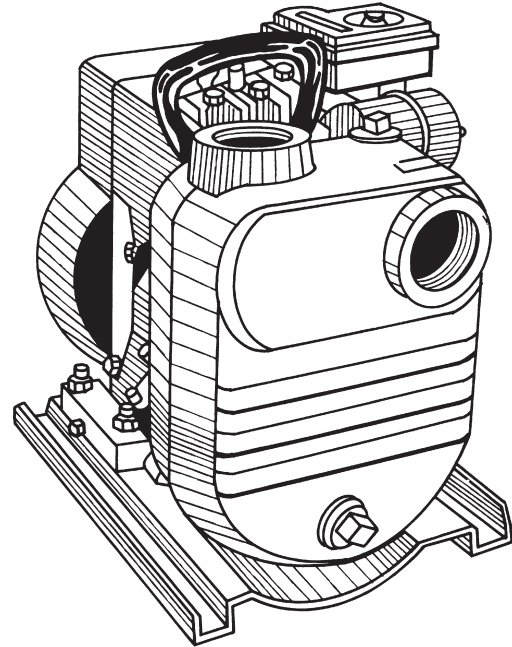
SAFETY CAREFULLY READ THESE SAFETY MESSAGES IN THIS MANUAL AND ON PUMP.

CAUTION

- **DO NOT OPERATE THIS PUMP DRY!**
- Review instructions before operating.
- Wear ear protection to reduce objectionable noise.

WARNING

- Review chemical manufacturer's safety precautions before handling.
- Make sure all connections are tight.
- Do not breathe or ingest fumes or chemicals.
- Never use with flammable fluids.
- Turn off engine before servicing.
- If fuel is spilled, avoid creating any source of ignition until the fuel vapors have been cleaned up and removed.



APPLICATION

Use these pumps on water or liquid fertilizer, where the vertical suction from the liquid level is 25 ft. (8m) or less.

The elevation above sea level, and friction losses, must be taken into consideration.

NOTE: Do not operate this pump dry for more than two minutes. This pump has been tested and operated under actual working conditions. Engine, pump and all accessories were found satisfactory. If pumping unit is not performing as specified, check installation and Troubleshooting Guide carefully.

INSTALLATION

Refer to Fig. 1

- LOCATION:** For permanent installation, put the pump in a clean, dry and ventilated place. Keep the suction line as short as possible. This keeps pumping flow at its highest.
- MOUNTING:** Mount the pump on a rigid foundation to eliminate creeping due to vibration.
- SUCTION LINE:** Use a suction line the same size as the suction on the pump. If the suction pipe is long, increase it by one size to improve flow. Slope the suction line upwards to the pump to avoid air pockets in the line and hard priming.
- SUCTION PIPE:** Use thread compound on all pipe joints. Connections must be tight. Clean, uncorroded pipe is recommended.

- SUCTION HOSE:** If the suction line runs basically vertically, use an elbow on the hose to prevent kinking. Use double clamps on all hose joints. Connections must be tight.

NOTE: If you use the pump for dewatering, attach a foot valve to the suction line.

NOTE: The main cause of pumping problems is a leak in the suction line. Even a tiny leak reduces priming and pumping greatly.

OPERATION - PRIMING THE PUMP

WARNING: DO NOT RUN THE PUMP BEFORE PRIMING IT, SINCE THE SEAL AND IMPELLER COULD BE PERMANENTLY DAMAGED.

Refer to Fig. 1

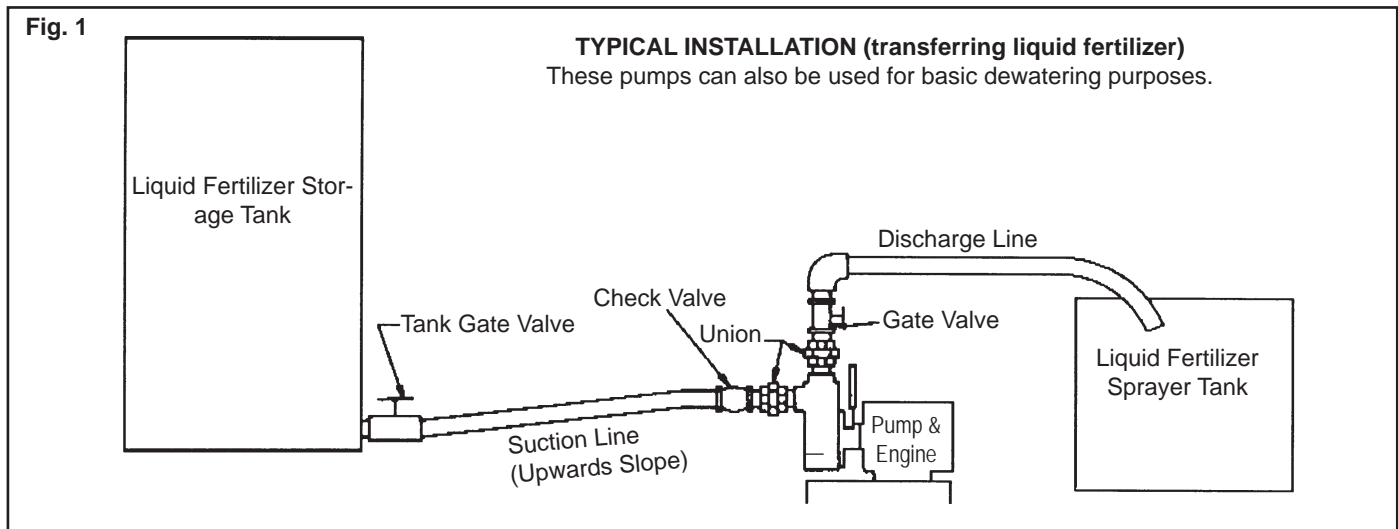
- a) **PREPARING THE ENGINE:** Follow the engine manufacturer's instructions before operating.
- b) **PRIMING THE PUMP:** Remove the priming plug and fill the casing with the same liquid that you will be pumping and replace plug. If the pump is below the level of the liquid that will be pumped (flooded suction), the pump will automatically fill up when the valves are open. Then start the pump.

NOTE: DO NOT OPERATE THIS PUMP DRY!

- c) **START-UP:** In a 'flooded suction' situation, the pump will discharge the liquid almost immediately. If the suction line is above the liquid level being pumped, it will take a few minutes to lift the water to the casing and then to discharge it. If the suction line is quite long, the pump may overheat before the liquid in the suction line reaches the pump. In this case, turn the pump off and drain the casing. Wait a few minutes for the seal in the pump casing to cool down. Then replace the drain plug and refill the casing with the same liquid that will be pumped. Replace the priming plug and restart the pump.

WARNING

If the overheated casing is filled while hot, damage to the seal will occur.



MAINTENANCE

- a) **ENGINE:** Refer to the engine manufacturer's instructions for any maintenance requirements.
- b) **FLUSHING:** If you are pumping chemicals, fertilizers or corrosive liquids, flush the pump after each use. Remove the drain and priming plugs and fill the casing several times with clean water.
- c) **DRAINING:** If the pump is subject to freezing temperatures, drain the pump by removing the drain plug and priming plug. After liquid has drained, run the pump for a few seconds to get the last liquid out of the impeller. Make sure the suction and discharge lines are free of liquid.

REPAIR

Refer to Fig. 2

DISASSEMBLY:

- 1) Drain the pump (see Draining under Maintenance).
- 2) Disconnect the pipes/hoses.
- 3) To remove the casing (1) remove the 4 bolts from the adapter.
- 4) To remove the impeller (2), use a rubber mallet to tap it loose and unscrew the impeller in a counter-clockwise direction.
- 5) To remove the seal (8), simply pull it off of the shaft. The sleeve (10) will slide off with it.
- 6) Remove the adapter (6), by removing the 4 bolts.
- 7) To remove the ceramic seat (9), press it out from the backside of the adapter with your thumbs.
- 8) Remove the rubber cup (4) from the adapter.
- 9) **DO NOT REMOVE THE FLINGER (11)** unless it needs to be replaced.

REASSEMBLY:

- 1) Clean all parts thoroughly before reassembly.
- 2) Apply liquid soap to the outer surface of the rubber cup (4) on the stationary seat (9). Insert the stationary seal seat into the seal adapter plate. Make sure that the smooth face of the ceramic seat is facing towards the front of the pump. Push this assembly into the adapter, using hand pressure only.
- 3) Assemble the adapter (6) and handle (5) onto the engine using the bolts and washers. Make sure that the flinger (11) is on the shaft.

NOTE: There may be more than one position that the adapter can be bolted to the engine but only one position is correct (refer to Fig. 3).

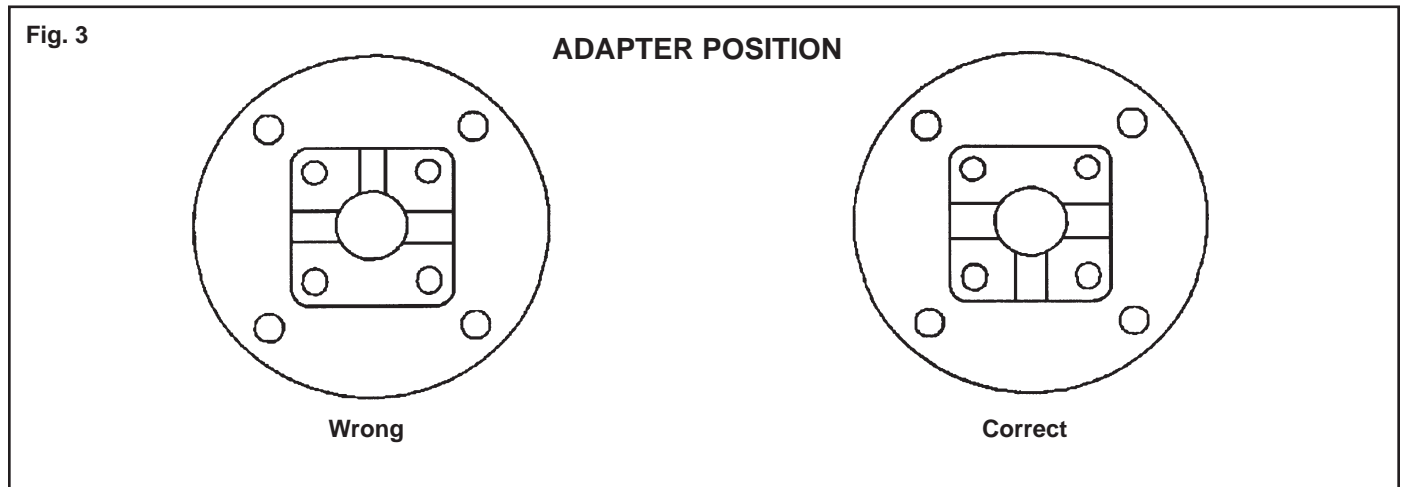
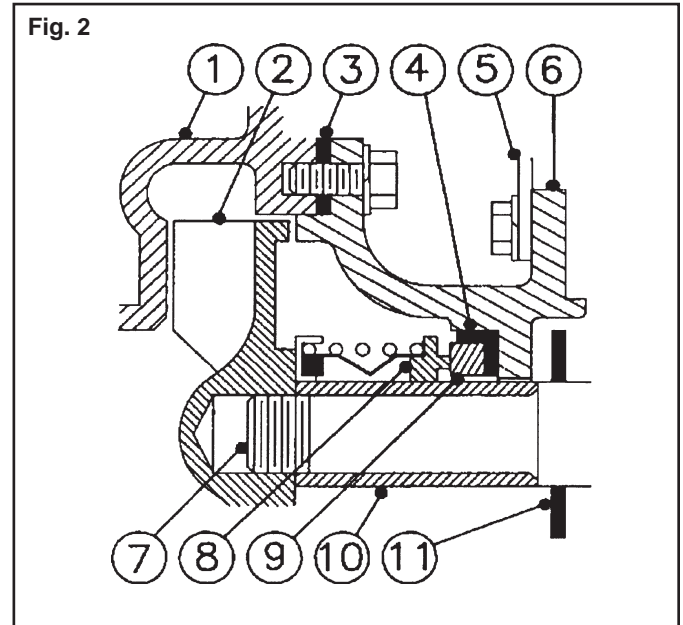
IMPORTANT: Be careful not to damage the ceramic seat or shaft, when assembling the adapter to the engine.

- 4) Replace the Seal:
 - The sleeve (10) may have a chamfer on the inside diameter at one end only, or at both ends. If the chamfer is only on one end, the chamfer end must be towards the engine. Slide it onto the shaft.
 - Make sure both faces of the seal are clean, then slide seal (8) onto the sleeve.
- 5) Screw on the impeller (2), clockwise.

- 6) Replace the gasket (3) and the washers. Then assemble the casing onto the adapter. Use thread locking / sealing compound on casing bolts to prevent leaks.

PRECAUTION: Check to see that the impeller rotates freely in the casing.

- 7) Reconnect the suction and discharge lines. Use a thread compound and make sure that the connections are tight.



TROUBLESHOOTING		
SYMPTOM	CAUSE	REMEDY
Pump will not pump	Air leak in suction line.	Make sure suction hose is double-clamped at joints, clamps are tight, fittings have thread compound and are tight, no nicks or cuts in hose.
	The suction and/or discharge line(s) may be blocked, or the valve(s) are closed, faulty and/or blocked.	Check to see that the lines and valves are in good working order.
	End of suction line is not submerged.	Increase its length, or move pump closer to source of liquid.
	Total head is too high for this pump to work against.	Reduce total head or use a higher-head pump.
Pump doesn't catch prime	Excessive suction lift*.	Move the pump closer to liquid source.

TROUBLESHOOTING (cont.)

SYMPTOM	CAUSE	REMEDY
Priming takes a long time	Suction line is quite long.	Refer to "start-up" under operation.
	Air pockets or leaks in the suction line	Check the line for loose connections.
Pump does not perform as well as it should	Flow is restricted due to: a) Debris build-up. b) Faulty or semi-open valve(s). c) Piping/hosing used is smaller than the thread sizes on the pump.	a) Clean the lines and fittings. b) Check to see that the valves are in good working order. c) Increase size of hose/pipe to reduce friction losses.
	Insufficient submergence of the end of the suction line.	The end of the suction line must be submerged.
	Excessively worn impeller**.	Replace impeller.
	Seal is damaged***. Liquid will be leaking through the middle of the adapter.	Replace seal.
	Air pockets or leaks in the suction line.	Check suction line.
	Clogged impeller.	Remove casing to clean out.
Pump loses prime	Liquid level drops below the end of the suction line.	Increase length of suction line or move the pump closer to the liquid source.

*Excessive suction lift must take into consideration:

- a) Size and length of pipe
- b) Density and temperature of liquid
- c) Pipe fitting
- d) Elevation above sea level

Including all of the above, we recommend that the total suction head not exceed 25 ft.

**An excessively worn impeller is mainly caused from cavitation which is caused by a number of situations.

Examples:

- a) Restricted suction
- b) Excessive suction lift

***The seal may be damaged due to:

- a) Normal wear
- b) Overheating
- c) Pumping chemicals that this seal is not designed for

**Toll Free Help Hotline:
1-800-667-1457**

RED LION
51 Burmac Road, P.O. Box 429
Winnipeg, Manitoba, Canada
R3C 3E4

Phone: (877) 337-2650

Fax: (204) 255-5214

www.redlionproducts.com

LIMITED WARRANTY:

For warranty consideration, Franklin Electric Company, Inc. and its subsidiaries (hereafter "the Company") warrants that the products specified in this warranty are free from defects in material or workmanship of the Company. During the time periods and subject to the terms and conditions hereinafter set forth, the Company will repair or replace to the original user or consumer any portion of this product which proves defective due to materials or workmanship of the Company. At all times the Company shall have and possess the sole right and option to determine whether to repair or replace defective equipment, parts, or components. The Company has the option to inspect any product returned under warranty to confirm that the warranty applies before repair or replacement under warranty is approved. This warranty sets forth the Company's sole obligation and purchaser's exclusive remedy for defective product. Return defective product to the place of purchase for warranty consideration.

WARRANTY PERIOD - PRODUCTS: 12 months from date of purchase by the user. In the absence of suitable proof of the purchase date, the effective period of this warranty will begin on the product's date of manufacture.

LABOR, ETC. COSTS: The Company shall IN NO EVENT be responsible or liable for the cost of field labor or other charges incurred by any customer in removing and/or affixing any product, part or component thereof.

PRODUCT IMPROVEMENTS: The Company reserves the right to change or improve its products or any portions thereof without being obligated to provide such a change or improvement for units sold and/or shipped prior to such change or improvement.

GENERAL TERMS AND CONDITIONS: This warranty shall not apply to damage due to acts of God, normal wear and tear, normal maintenance services and the parts used in connection with such service, lightning or conditions beyond the control of the Company, nor shall it apply to products which, in the sole judgment of the Company, have been subject to negligence, abuse, accident, misapplication, tampering, alteration; nor due to improper installation, operation, maintenance or storage; nor to excess of recommended maximums as set forth in the instructions.

Warranty will be VOID if any of the following conditions are found:

1. Product is used for purposes other than those for which it was designed and manufactured
2. Product not installed in accordance with applicable codes, ordinances and good trade practices
3. Pump allowed to operate dry (fluid supply cut off)
4. Engine housing opened or product dismantled by customer

DISCLAIMER: Any oral statements about the product made by the seller, the Company, the representatives or any other parties, do not constitute warranties, shall not be relied upon by the user, and are not part of the contract for sale. Seller's and the Company's only obligation, and buyer's only remedy, shall be the replacement and/or repair by the Company of the product as described above. NEITHER SELLER NOR THE COMPANY SHALL BE LIABLE FOR ANY INJURY, LOSS OR DAMAGE, DIRECT, INCIDENTAL OR CONSEQUENTIAL (INCLUDING, BUT NOT LIMITED TO, INCIDENTAL OR CONSEQUENTIAL DAMAGES FOR LOST PROFITS, LOST SALES, INJURY TO PERSON OR PROPERTY, OR ANY OTHER INCIDENTAL OR CONSEQUENTIAL LOSS), ARISING OUT OF THE USE OR THE INABILITY TO USE THE PRODUCT, AND THE USER AGREES THAT NO OTHER REMEDY SHALL BE AVAILABLE TO IT. Before using, the user shall determine the suitability of the product for his intended use, and user assumes all risk and liability whatsoever in connection therewith. THE WARRANTY AND REMEDY DESCRIBED IN THIS LIMITED WARRANTY IS AN EXCLUSIVE WARRANTY AND REMEDY AND IS IN LIEU OF ANY OTHER WARRANTY OR REMEDY, EXPRESSED OR IMPLIED, WHICH OTHER WARRANTIES AND REMEDIES ARE HEREBY EXPRESSLY EXCLUDED, INCLUDING BUT NOT LIMITED TO ANY IMPLIED WARRANTY OF MERCHANTABILITY OR FITNESS FOR A PARTICULAR PURPOSE, TO THE EXTENT EITHER APPLIES TO A PRODUCT SHALL BE LIMITED IN DURATION TO THE PERIODS OF THE EXPRESSED WARRANTIES GIVEN ABOVE. Some states and countries do not allow the exclusion or limitations on how long an implied warranty lasts or the exclusion or limitation of incidental or consequential damages, so the above exclusion or limitations may not apply to you. This warranty gives you specific legal rights, and you may also have other rights which vary from state to state and country to country.

RED LION

MANUEL DE PROPRIÉTAIRE

RLGF

Pompes Centrifuges à Amorçage Automatique

pour fertilisants liquides

⚠️ CONSIGNES DE SÉCURITÉ



AVANT D'INSTALLER OU D'UTILISER CETTE POMPE, PRIÈRE DE LIRE LE PRÉSENT GUIDE ET SUIVRE TOUTES LES RÈGLES DE SÉCURITÉ ET INSTRUCTIONS D'UTILISATION.

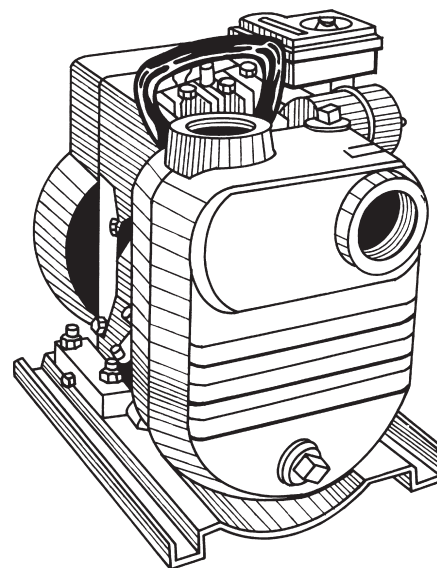
⚠️ **SÉCURITÉ** LIRE ATTENTIVEMENT LES AVIS DE SÉCURITÉ SE TROUVANT DANS LE PRÉSENT MANUEL ET SUR LA POMPE.

⚠️ **CAUTION**

- **NE PAS FAIRE FONCTIONNER CETTE POMPE À SEC!**
- Passez les instructions en revue avant d'utiliser la pompe.
- Porter un appareil de protection acoustique afin de réduire les effets du bruit.

⚠️ **MISE EN GARDE**

- Bien lire les mesures de sécurité des fabricants avant de manipuler des produits chimiques.
- S'assurer que tous les raccords sont bien serrés.
- Éviter de respirer ou d'ingérer des vapeurs ou des produits chimiques.



- Ne jamais utiliser de liquides inflammables.
- Couper le fonctionnement du moteur avant d'effectuer l'entretien.
- Si du carburant est renversé, éviter de créer une source d'inflammation jusqu'à la disparition des vapeurs.

UTILISATION

Utiliser ces pompes pour faire remonter l'eau ou des fertilisants liquides sur une hauteur maximum de 25 pi (8m) ou moins.

Il faut également tenir compte de l'élévation au-dessus du niveau de la mer et des pertes dues au frottement.

NOTE : Ne pas faire fonctionner la pompe à vide pendant plus de deux ou trois minutes. Le fonctionnement de la pompe a été vérifié dans des conditions de travail réelles. Le moteur, la pompe et tous les accessoires ont été jugés satisfaisants. Si la pompe ne fournit pas le rendement indiqué, vérifier l'installation et suivre soigneusement les instructions et le guide de dépannage.

INSTALLATION

Consulter la Figure 1.

- EMPLACEMENT :** En cas d'installation permanente placer la pompe dans un endroit propre, sec et aéré. La longueur de la conduite d'aspiration doit être réduite au minimum afin de permettre un débit maximum. Garder le débit de pompage le plus élevé.
- MONTAGE :** Fixer la pompe sur une base rigide pour éliminer le déplacement dû à la vibration.
- CONDUITE D'ASPIRATION :** Utiliser une conduite d'aspiration de même dimension que l'orifice d'aspiration de la pompe. Si la conduite est longue, augmenter d'une unité pour améliorer le débit. La conduite doit toujours remonter vers la pompe pour éviter la présence de poches d'air dans la conduite et faciliter l'amorçage.

- TUYAU D'ASPIRATION :** Enduire d'une graisse lubrifiante à joint fileté tous les joints du tuyau. Bien serrer tous les raccords. Il est recommandé d'utiliser des tuyaux propres et non corrodés.
- BOYAU D'ASPIRATION :** En cas de pompage vertical, ajouter un coude pour éviter la torsion du boyau. Utiliser des colliers de serrage doubles sur tous les joints du boyau. Bien serrer tous les raccords.

NOTE : Si vous utilisez la pompe pour des travaux d'assèchement, raccorder un clapet de pied à l'extrémité de la conduite d'aspiration.

NOTE : La cause principale des problèmes de pompage est due à une fuite dans la conduite d'aspiration. Même une fuite minime réduit considérablement l'amorçage et le pompage.

RED LION

FONCTIONNEMENT - AMORÇAGE DE LA POMPE

AVERTISSEMENT : NE PAS FAIRE FONCTIONNER LA POMPE À SEC AVANT L'AMORÇAGE, SINON LE JOINT D'ÉTANCHÉITÉ ET LA ROUE DE TURBINE SERAIENT ENDOMMAGÉS DE FAÇON PERMANENTE.

Consulter la Figure 1.

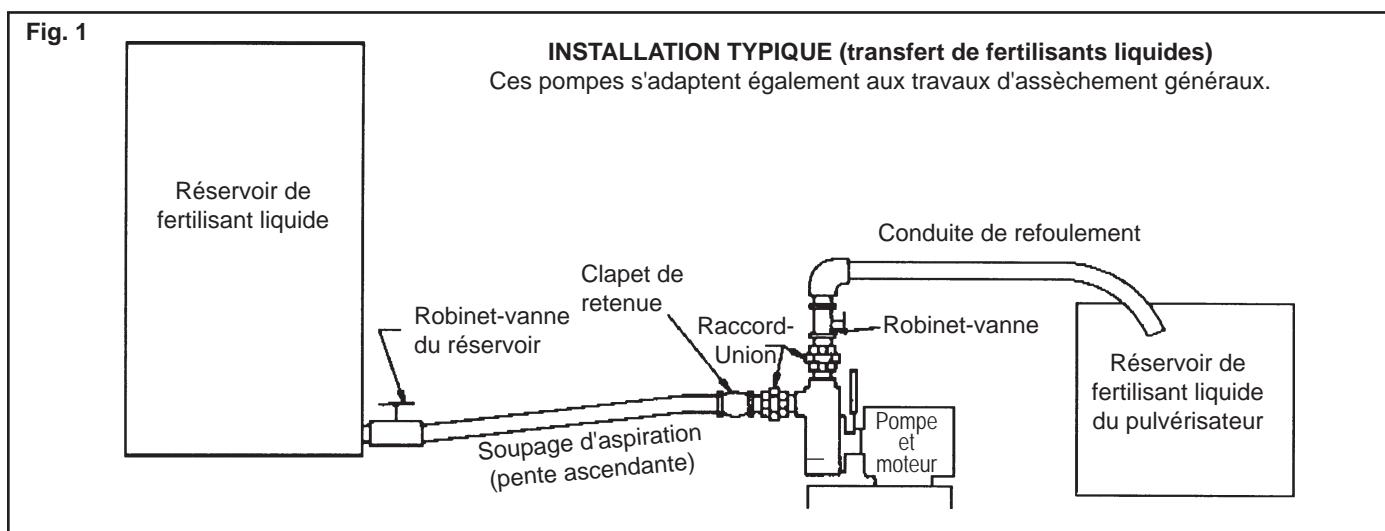
- a) **PRÉPARATION DU MOTEUR :** Suivre les instructions du fabricant avant de mettre le moteur en marche.
- b) **AMORÇAGE DE LA POMPE :** Enlever le bouchon d'amorçage et remplir le boîtier avec le liquide qui doit être pompé, puis reboucher. Si la pompe est placée en dessous du niveau du liquide à pomper (en condition d'aspiration noyée), la pompe se remplit automatiquement quand les valves sont ouvertes et le moteur peut donc être mis en marche.

NOTE: NE PAS FAIRE FONCTIONNER CETTE POMPE À SEC!

- c) **DÉMARRAGE :** Lorsque l'aspiration est « noyée », la pompe refoule le liquide presque immédiatement. Si la conduite d'aspiration est placée au-dessus du liquide à pomper, quelques minutes s'écouleront avant que le boîtier se remplisse et se vide par la suite. Si la conduite d'aspiration est très longue, la pompe peut surchauffer avant que le liquide dans la conduite atteigne la pompe. Le cas échéant, arrêter la pompe et vidanger le boîtier. Attendre quelques minutes pour que le joint de la pompe se refroidisse. Replacer le bouchon d'amorçage et faire démarrer la pompe.

MISE EN GARDE

Si le boîtier « surchauffé » se remplit pendant qu'il est chaud, le joint subira des dommages.



ENTRETIEN

- a) **MOTEUR :** Pour les exigences d'entretien du moteur, consulter les directives du fabricant.
- b) **NETTOYAGE :** Faire passer de l'eau dans la pompe après l'avoir utilisée pour pomper des substances chimiques, des fertilisants et des liquides corrosifs. Enlever les bouchons de vidange et d'amorçage et remplir le boîtier plus d'une fois avec de l'eau claire.

- c) **VIDANGE :** Si la pompe est exposée au gel, vidanger la pompe en enlevant les bouchons de vidange et d'amorçage. Après la vidange, faire fonctionner la pompe pendant quelques secondes pour vider complètement la turbine. S'assurer également que les conduites d'aspiration et de refoulement sont vides.

RÉPARATION

Consulter la Figure 2.

DÉMONTAGE :

- 1) Vidanger la pompe (voir la section « Vidange » sous la rubrique ENTRETIEN).
- 2) Détacher les tuyaux ou les boyaux.
- 3) Pour enlever le boîtier (1), dévisser les 4 boulons de l'adaptateur.
- 4) Pour retirer la roue de turbine (2), la desserrer en frappant sur celle-ci avec un maillet de caoutchouc. Faire tourner ensuite la roue de

turbine dans le sens contraire des aiguilles d'une montre.

- 5) Pour enlever le joint (8), le tirer simplement de l'arbre. Le manchon (10) s'enlève avec le joint.
- 6) Retirer l'adaptateur (6) en enlevant les 4 boulons.
- 7) Pour retirer l'embase de céramique (9), appuyer à l'arrière de l'adaptateur en exerçant une pression avec les doigts.
- 8) Enlever le godet de caoutchouc (4) de l'adaptateur.
- 9) **NE PAS ENLEVER LE CAVALIER (11)** sauf s'il faut le remplacer.

MONTAGE :

- 1) Nettoyer soigneusement toutes les pièces avant de les remonter.
- 2) Appliquer du savon liquide à la surface extérieure du godet en caoutchouc (4) sur l'embase stationnaire (9). Insérer l'embase stationnaire du joint dans l'adaptateur. Assurer bien que la partie lisse de l'embase en céramique fait face à l'avant de la pompe. Enfoncer à la main uniquement cet assemblage dans l'adaptateur.
- 3) Fixer l'adaptateur (6) et la poignée (5) sur le moteur à l'aide des boulons et des rondelles. S'assurer que le cavalier (11) est monté sur l'arbre.

NOTE : S'il y a plus d'une façon de boulonner l'adaptateur sur le moteur, une seule position, par contre est correcte (voir la figure 3).

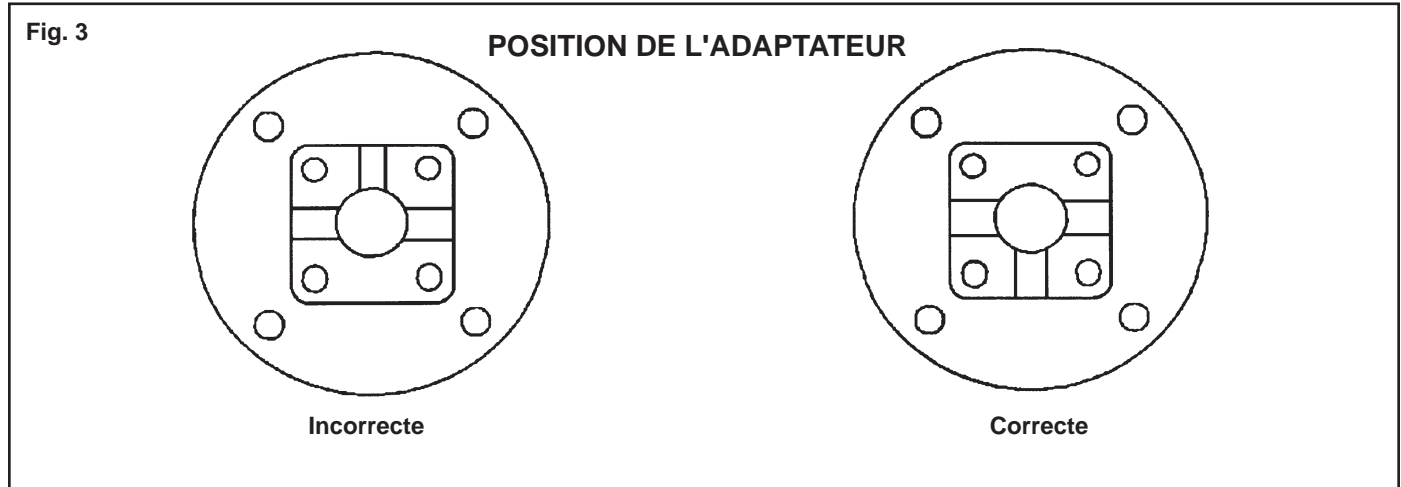
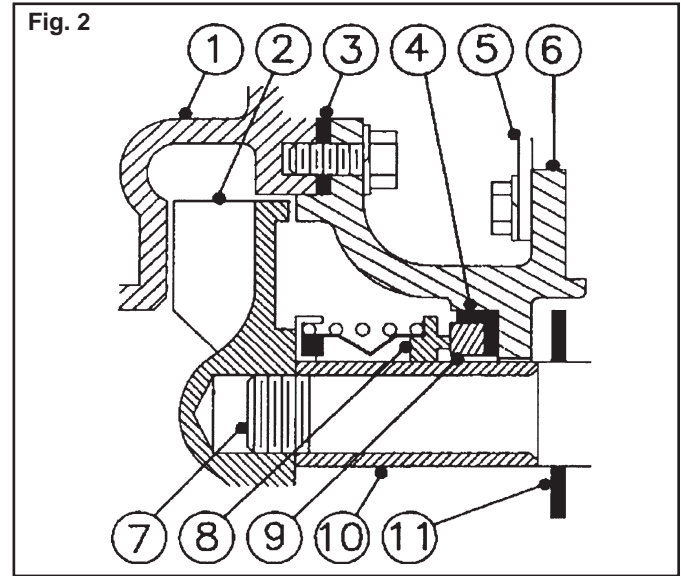
IMPORTANT: Faire attention de ne pas endommager l'embase de céramique ou l'arbre en fixant l'adaptateur au moteur.

- 4) Replacer le joint :
 - Le manchon (10) peut être biseauté aux deux extrémités ou à l'une d'entre elles seulement. S'il n'est biseauté qu'à une extrémité, celle-ci doit être du côté du moteur. Faire glisser le manchon sur l'arbre.
 - S'assurer que les deux côtés du joint sont propres avant d'enfiler le joint (8) dans le manchon.
- 5) Installer la roue de turbine (2) en la faisant tourner dans le sens des aiguilles d'une montre.
- 6) Replacer le joint d'étanchéité (3) et les rondelles. Fixer ensuite le boîtier à l'adaptateur. Utilisez une colle de scellage sur le

filetage des boulons afin d'empêcher les fuites d'eau.

PRÉCAUTION : Vérifier si la roue de turbine tourne librement dans le boîtier.

- 7) Raccorder les conduites d'aspiration et de refoulement. Appliquer un produit d'étanchéité sur les filets et s'assurer que les raccords sont bien serrés.



GUIDE DE DÉPANNAGE		
PROBLÈMES	CAUSES PROBABLES	SOLUTIONS
La pompe ne fonctionne pas	Fuite d'air dans la conduite d'aspiration.	S'assurer que les joints du tuyau d'aspiration ont un pas double collier de serrage, que les colliers sont bien serrés, que les raccords ont été garnis de produits pour étanchéité et qu'ils sont serrés, que le tuyau n'est ni ébréché ni coupé.
	Les conduites d'aspiration et/ou de refoulement peuvent être bloquées, ou les clapets sont fermés, défectueux ou bloqués.	Vérifier si les conduites et les clapets sont en bon état de fonctionnement.
La pompe ne s'amorce	L'extrémité de la conduite d'aspiration n'est pas immergée.	Augmenter sa longueur, ou rapprocher la pompe de la source de liquide à pomper.
	La hauteur géométrique d'aspiration est trop élevée*.	Rapprocher la pompe de la source de liquide à pomper.
L'amorçage est très long	La conduite d'aspiration est très longue.	Consulter le paragraphe « Démarrage » de la section « Fonctionnement ».
	Il y a des poches d'air ou des fuites dans la conduite d'aspiration.	Vérifier si les raccords de la conduite sont serrés.

GUIDE DE DÉPANNAGE

PROBLÈMES	CAUSES PROBABLES	SOLUTIONS
Le rendement de la pompe est inférieur au rendement prévu.	Le débit est limité : a) accumulation de débris. b) soupapes défectueuses ou semi-ouvertes. c) le diamètre des tuyaux ou des boyaux utilisés est plus petit que celui des orifices de la pompe.	a) Nettoyer les conduites et les raccords. b) Vérifier si les soupapes sont en bon état de c) Augmenter le diamètre des tuyaux ou des boyaux afin de réduire les pertes dues au frottement.
	L'extrémité de la conduite d'aspiration n'est pas suffisamment immergée.	Il faut immerger l'extrémité de la conduite d'aspiration.
	La roue de turbine est trop usée**.	Remplacer la roue de turbine.
	Le joint est endommagé***. Du liquide s'écoule du centre de l'adaptateur.	Remplacer le joint. Vérifier la conduite d'aspiration.
	La roue de turbine est obstruée.	Enlever le boîtier pour le nettoyer.
La pompe se désamorçe	Le niveau de liquide est inférieur à l'extrémité de la conduite d'aspiration.	Augmenter la longueur de la conduite d'aspiration ou rapprocher la pompe de la source de liquide à pomper.

*Pour pomper à une hauteur excessive, tenir compte de :

- a) Le diamètre et la longueur du tuyau.
- b) La densité et la température du liquide
- c) Les raccords de tuyauterie.
- d) L'élévation au-dessus du niveau de la mer.

En considérant tous les facteurs ci-dessus, nous recommandons que la hauteur de pression d'aspiration totale ne dépasse pas 25 pi.

**L'usure excessive de la roue de turbine est principalement due à la « cavitation ». Un certain nombre de situations peuvent entraîner la cavitation. Exemples :

- a) L'aspiration est limitée
- b) La hauteur géométrique d'aspiration est trop élevée.

***Le joint peut être endommagé pour les raisons suivantes

- a) Usure normale
- b) Surchauffe
- c) Pompage de produits chimiques pour lesquels le joint n'est pas conçu.

SERVICE A LA CLIENTELE:
Ligne directe à 1-800-667-1457

RED LION
51 Burmac Road, P.O. Box 429
Winnipeg, Manitoba, Canada
R3C 3E4

Téléphone: (877) 337-2650

Fax: (204) 255-5214

www.redlionproducts.com

GARANTIE LIMITÉE

Lors des requêtes en garantie, Franklin Electric Company, Inc. et ses filiales (ci-après appelée « l'Entreprise ») garantit les produits spécifiés dans cette garantie contre tout défaut de matériaux et de main-d'œuvre. Pendant les périodes couvertes par la garantie et selon les conditions indiquées dans la présente, l'Entreprise réparera ou remplacera toute partie de ce produit présentant une défaillance liée aux matériaux ou à la main-d'œuvre, et ce uniquement auprès du premier utilisateur ou acheteur. En tout temps, l'Entreprise conserve le droit et l'option de déterminer si un équipement, des pièces ou des composants défectueux doivent être réparés ou remplacés. L'Entreprise peut inspecter tout produit sous garantie qui lui est retourné afin de confirmer que la garantie s'applique, avant d'approuver la réparation ou le remplacement. Cette garantie stipule l'unique obligation de l'Entreprise et le recours exclusif de l'acheteur pour un produit défectueux. Retourner le produit défectueux au détaillant pour les requêtes en garantie.

PÉRIODE DE GARANTIE – PRODUITS : 12 mois à partir de la date d'achat par l'utilisateur. (Aucune garantie n'est offerte pour les balais, le rotor ou la came sur les modèles avec moteur à balais et/ou rotor flexible à palettes.) En l'absence d'une preuve adéquate de la date d'achat, la période d'application commencera à partir de la date de fabrication.

COÛTS DE MAIN-D'ŒUVRE, ETC. : EN AUCUN CAS l'Entreprise ne pourra être tenue responsable du coût de la main-d'œuvre ou d'autres frais encourus par un client lors de la dépose et/ou de la réparation d'un produit, d'une partie ou d'un composant.

AMÉLIORATIONS DU PRODUIT : L'Entreprise se réserve le droit de modifier ou d'améliorer ses produits, ou une quelconque de leur partie, sans obligation de fournir une telle modification ou amélioration aux appareils déjà vendus et/ou expédiés avant que de telles modifications ou améliorations n'aient été apportées.

CONDITIONS ET MODALITÉS GÉNÉRALES : Cette garantie ne couvre pas les dommages causés par une catastrophe naturelle, l'usure normale, la foudre ou des conditions hors du contrôle de l'Entreprise; et elle ne couvre pas non plus les services d'entretien normaux et aux pièces usées associés à un tel service, ni les produits qui, selon le jugement exclusif de l'Entreprise, ont été exposés à la négligence, l'abus, un accident, une application inappropriée, une altération, une modification; ni aux dommages causés par une installation, une utilisation, un entretien ou un entreposage inadéquat; ni à une utilisation au-delà des maximums La garantie est NULLE si l'une des conditions suivantes s'applique :

1. Le produit est utilisé pour des applications autres que celles pour lesquelles il a été conçu et fabriqué.
2. Le produit n'est pas installé dans le respect des codes et règlements applicables et selon les bonnes pratiques acceptées dans l'industrie.
3. La pompe a fonctionné à sec (alimentation en liquide coupée).
4. Le corp du moteur soit ouvert ou le produit soit démonter par le client.

AVIS DE NON-RESPONSABILITÉ : Toute déclaration verbale portant sur le produit, faite par le vendeur, l'Entreprise, les représentants ou toute autre partie ne constitue pas une garantie et ne peut être considérée par l'utilisateur comme faisant partie du contrat de vente. La seule obligation du vendeur ou de l'Entreprise et le seul recours de l'acheteur est le remplacement et/ou la réparation du produit par l'Entreprise, comme il est décrit ci-dessus. LE VENDEUR OU L'ENTREPRISE NE PEUT ÊTRE TENU RESPONSABLE POUR TOUTE BLESSURE, PERTE OU DOMMAGE DIRECT, INDIRECT OU CONSÉCUTIF (INCLUANT MAIS SANS S'Y LIMITER LES DOMMAGES INDIRECTS OU CONSÉCUTIFS LIÉS À UNE PERTE DE PROFITS, UNE PERTE DE VENTES, DES BLESSURES OU DES DOMMAGES MATÉRIELS, OU TOUT AUTRE INCIDENT OU PERTE CONSÉCUTIVE), RÉSULTANT DE L'UTILISATION OU DE L'IMPOSSIBILITÉ D'UTILISER LE PRODUIT; DE PLUS, L'UTILISATEUR ACCEPTE QU'AUUCUN AUTRE RECOURS N'EST DISPONIBLE. Avant de commencer à utiliser le produit, l'utilisateur doit déterminer si ce produit est adapté à l'usage prévu; et l'utilisateur assume tous les risques et toutes les responsabilités qui sont liés à cette utilisation. LA GARANTIE ET LES MESURES CORRECTIVES DÉCRITES DANS LA PRÉSENTE GARANTIE LIMITÉE CONSTITUENT UNE GARANTIE ET DES MESURES CORRECTIVES EXCLUSIVES EN LIEU ET PLACE DE TOUTE AUTRE GARANTIE ET MESURE CORRECTIVE, EXPRESSE OU IMPLICITE; ET TOUTE AUTRE GARANTIE ET MESURE CORRECTIVE EST EXPRESSÉMENT EXCLUE, INCLUANT, MAIS SANS S'Y LIMITER, TOUTE GARANTIE IMPLICITE DE QUALITÉ MARCHANDE OU D'ADAPTATION À UN USAGE PARTICULIER. Certaines juridictions et certains pays interdisent les exclusions ou les limitations de durée d'une garantie implicite ou l'exclusion ou la limitation des dommages indirects ou consécutifs; les limitations ou exclusions ci-dessus pourraient donc ne pas s'appliquer à votre cas. Cette garantie vous donne des droits légaux spécifiques et vous pourriez également jouir d'autres droits qui varient selon la juridiction ou le pays.

RED LION

MANUAL DEL PROPIETARIO

RLGF Bombas Centrífugas de Autocargado para líquidos fertilizantes

⚠️ ADVERTENCIAS DE SEGURIDAD



LEA ESTE MANUAL Y SIGA TODAS LAS REGLAS DE SEGURIDAD ANTES DE INSTALAR U OPERAR ESTA BOMBA.

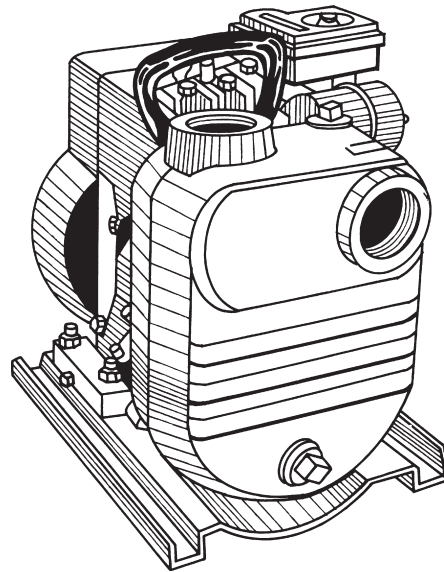
⚠️ **SEGURIDAD** LEA CUIDADOSAMENTE ESTOS MENSAJES DE SEGURIDAD EN ESTE MANUAL Y EN LA BOMBA.

⚠️ CUIDADO

- **¡NO HAGA FUNCIONAR LA BOMBA EN SECO!**
- Revise las instrucciones antes de hacerla funcionar.
- Use protectores de oídos para reducir la bulla molesta

⚠️ ADVERTENCIA

- Revise las precauciones químicas del fabricante antes de manipularla.
- Asegúrese que todas las conexiones están bien ajustadas.
- No respire ni ingiera vapores ni químicos.
- Nunca la use con líquidos inflamables.



- Apague el motor antes de darle servicio.
- Si se derrama combustible, evite el crear una fuente de encendido hasta que se hayan limpiado y eliminado los vapores del combustible.

APLICACIÓN

Utilice estas bombas para agua o líquidos fertilizantes, donde la succión vertical desde el nivel del líquido no sea mayor de 25 pies (8 metros).

Se debe tomar en consideración la altura sobre el nivel del mar y las pérdidas por fricción.

NOTA: No haga funcionar esta bomba en seco por más de dos minutos. Esta bomba ha sido probada y hecha funcionar bajo condiciones reales de trabajo. El motor, la bomba y todos los acoplamientos fueron encontrados en estado satisfactorio. Si la unidad de bombeo no funciona como se especifica, revise cuidadosamente la guía de instalación y la tabla para solucionar problemas.

INSTALACIÓN

Vea la Fig. 1.

- UBICACIÓN:** Para una instalación permanente, ponga la bomba en un lugar limpio, seco y ventilado. Mantenga la línea de succión lo más corta posible para mantener el flujo de bombeo al máximo.
- INSTALACIÓN:** Instale la bomba sobre unos cimientos rígidos para eliminar su movimiento por la vibración.
- LÍNEA DE SUCCIÓN:** Use una línea de succión del mismo tamaño que la succión de la bomba. Si la tubería de succión es larga, aumente por un tamaño para mejorar el flujo. Incline la tubería de succión hacia arriba para evitar bolsas de aire en la misma y un cargado difícil.
- TUBERÍA DE SUCCIÓN:** Utilice un compuesto para rosca

en todas las uniones de las tuberías. Las conexiones deben estar bien ajustadas. Se recomienda se utilice tuberías limpias y sin corrosión.

- MANGUERA DE SUCCIÓN:** Si la línea de succión está básicamente vertical, utilice un codo en la manguera para evitar que se doble. Utilice abrazaderas dobles en todas las uniones de mangueras. Las conexiones deben estar bien ajustadas.

NOTA: Si usa la bomba para remover agua, instale una válvula de chequeo en la línea de succión.

NOTA: La mayoría de problemas de bombeo es una fuga en la línea de succión. Aún una fuga muy pequeña reduce enormemente el cargado y bombeo.

FUNCIONAMIENTO - CÓMO CARGAR LA BOMBA

AVISO: NO OPERAR LA BOMBA ANTES DE CARGARLA, EL SELLO Y EL PROPULSOR PODRÍAN DAÑARSE PERMANENTEMENTE.

Vea la Fig. 1.

- a) **CÓMO PREPARAR EL MOTOR:** Siga las instrucciones del fabricante antes de hacerla funcionar.
- b) **CÓMO CARGAR LA BOMBA:** Quite el tapón de cargado y llene el cuerpo de la bomba con el mismo líquido que va a bombear. Vuelva a colocar el tapón. Si la bomba está debajo del nivel del líquido a bombear (succión inundada), la bomba se llenará automáticamente cuando se abran las válvulas. Prenda la bomba.

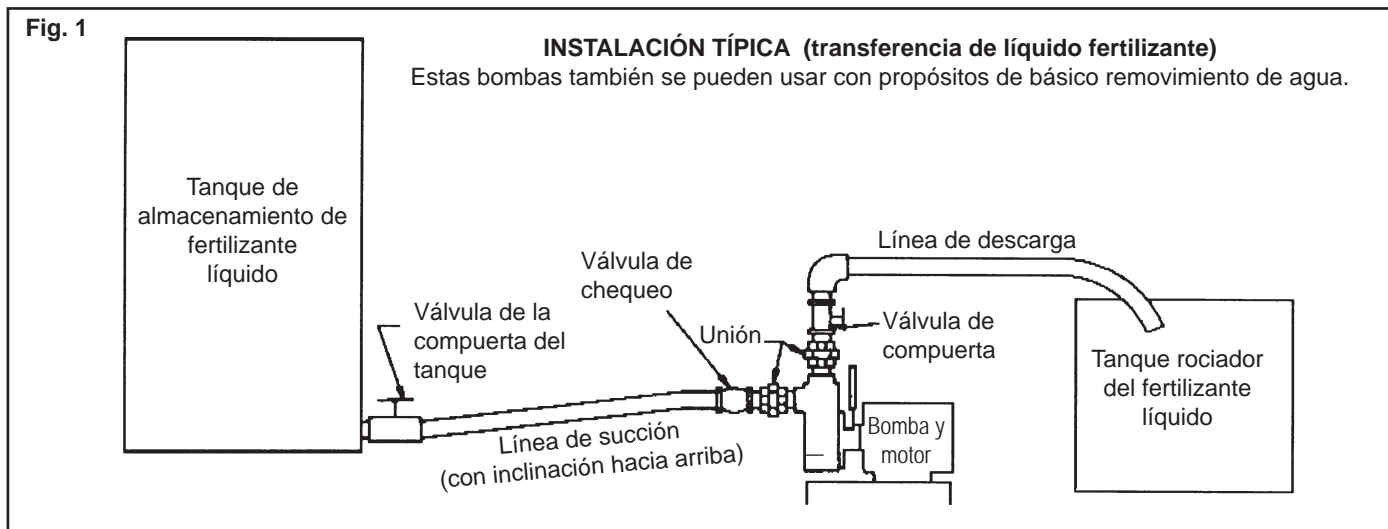
NOTA: ¡NO HAGA FUNCIONAR LA BOMBA EN SECO!

- c) **ENCENDIDO:** En la situación de “succión inundada”, la bomba descargará el líquido casi inmediatamente. Si la bomba está por encima del nivel del líquido a bombear, tomará unos minutos para llevar el agua al cuerpo de la bomba y descargarla. Si la línea de succión es muy larga, la bomba se puede recalentar antes de que el líquido en la línea de succión llegue a la bomba. En este caso apague la bomba y drene el cuerpo de la bomba. Espere unos minutos para que se enfríen el sello en el cuerpo de la bomba. Vuelva a colocar el tapón de drenaje y a llenar el cuerpo de la bomba con el mismo líquido que va a bombear. Vuelva a colocar el tapón de cargado y encienda la bomba nuevamente.



ADVERTENCIA

Si se llena el cuerpo de la bomba mientras éste está “recalentado”, se puede dañar el sello.



MANTENIMIENTO

- a) **MOTOR:** Vea en las instrucciones del fabricante cualquier requerimiento de mantenimiento.
- b) **DESCARGA:** Si usted está bombeando químicos, fertilizantes o líquidos corrosivos, descargue la bomba después de cada uso. Quite los tapones de drenaje y de cargado y llene el cuerpo de la bomba varias veces con agua limpia.
- c) **DRENAJE:** Si la bomba va a estar expuesta a temperaturas congelantes, drene la bomba quitando los tapones de drenaje y de cargado. Una vez que se haya drenado el líquido, haga funcionar la bomba por unos segundos para sacar todo el líquido del propulsor. Asegúrese que las líneas de succión y descarga estén sin líquido.

REPARACIONES

Vea la Fig. 2.

DESENSAMBLAJE:

- 1) Drene la bomba (vea la sección Drenaje bajo Mantenimiento).
- 2) Desconecte las tuberías/mangueras.
- 3) Para remover el cuerpo de la bomba (1) quite los 4 pernos del adaptador.
- 4) Para remover el propulsor (2), use un martillo de goma para aflojarlo y desentornille el propulsor girando contra las manecillas del reloj.
- 5) Para remover el sello (8), simplemente jálalo fuera del eje. La manga (10) saldrá con el sello.
- 6) Quite el adaptador (6) sacando los 4 pernos.
- 7) Para remover el asiento de cerámica (9), presiónelo hacia afuera desde la parte posterior del adaptador con sus dedos pulgares.
- 8) Quite el cubo de goma (4) del adaptador.
- 9) **NO quite el anillo de goma (11) a menos que tenga que reemplazarlo.**

REENSAMBLAJE:

- 1) Limpie todas las piezas completamente antes de volverla a ensamblar.
- 2) Aplicar jabón líquido al superficie exterior del cubo de goma (4) sobre el asiento inmóvil (9). Inserte el asiento inmóvil del sello dentro del adaptador. Asegúrese que el lado liso del asiento de cerámica esté hacia el frente de la bomba. Presione este conjunto dentro del adaptador usando solamente la presión de sus manos.
- 3) Ensamble el adaptador (6) y la manija (5) dentro del motor usando los pernos y arandelas. Asegúrese que el anillo de goma (11) esté en el eje.
NOTA: Puede haber más de una posición en la que se pueda empujar el adaptador al motor, pero solamente una posición es correcta (vea la Fig. 3).
IMPORTANTE: Tenga cuidado de no dañar el asiento de cerámica o el sello cuando ensamble el adaptador al motor.
- 4) Vuelva a colocar el sello:
 - La manga (10) puede tener un bisel en el diámetro interior en uno de los extremos solamente, o en ambos extremos. Si el bisel está solamente en uno de los extremos, el extremo con el bisel debe estar al lado del motor. Deslícelo en el eje.
 - Asegúrese que ambos lados del sello estén limpios, y luego deslice el sello (8) en la manga.
- 5) Entornille el propulsor (2) girando en el mismo sentido que las manecillas del reloj.

- 6) Vuelva a colocar la junta (3) y las arandelas. Ensamble el cuerpo de la bomba al adaptador. Utilice un sellador en los pestillos para evitar escapes de agua.
CUIDADO: Asegúrese que el propulsor gire libremente en el cuerpo de la bomba.
- 7) Vuelva a conectar las líneas de succión y descarga. Use un compuesto para roscas y asegúrese que las conexiones estén bien ajustadas.

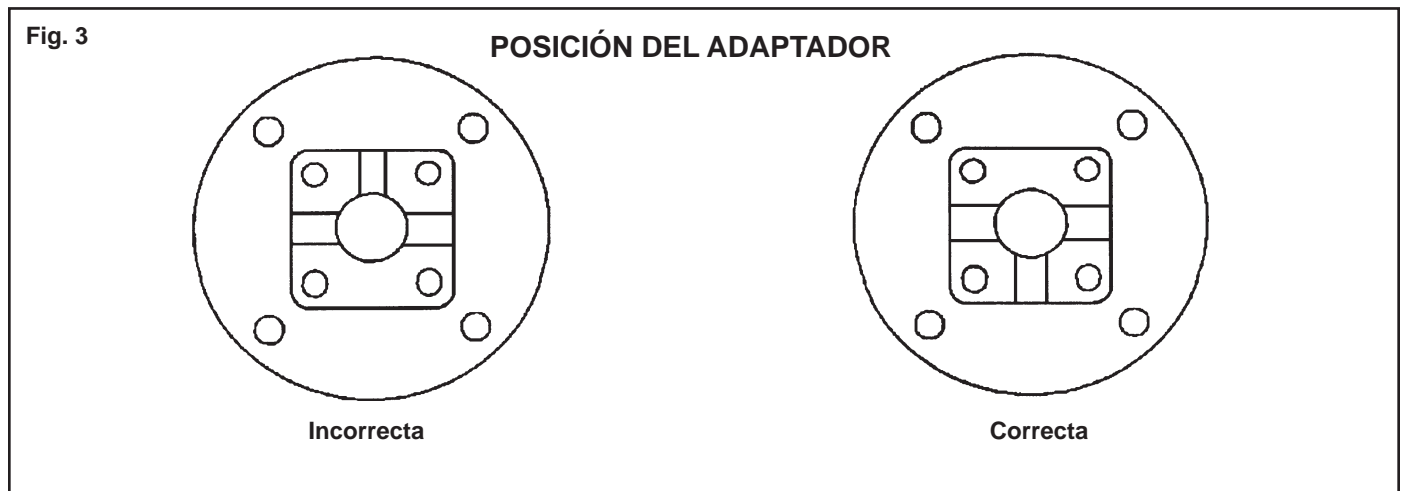
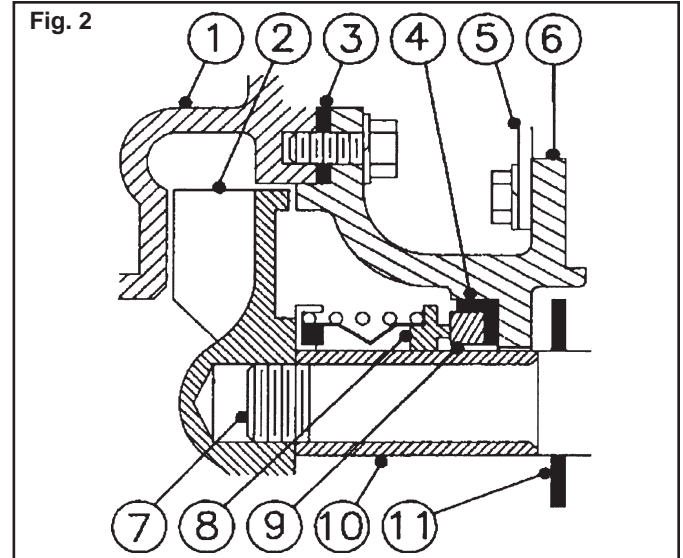


TABLA PARA SOLUCIONAR PROBLEMAS		
PROBLEMAS	CAUSAS	SOLUCIONES
La bomba no bombea	Hay fuga de aire en la línea de succión	Asegúrese que la manguera de succión esté con doble abrazaderas en las uniones, que estén bien ajustadas, que los acoplamientos tengan compuesto en las roscas y que estén bien ajustados, que no haya doblez ni cortes en la manguera.
	Las línea(s) de succión y/o descarga pueden estar bloqueadas, o la válvula(s) puede estar cerrada(s), falladas y/o bloqueadas.	Asegúrese que las líneas y válvulas estén en buenas condiciones de funcionamiento.
	El extremo de la línea de succión no está sumergido.	Aumente el largo, o coloque la bomba más cerca de la fuente del líquido
	La elevación total es demasiada para esta bomba.	Reduzca la elevación total o use una bomba con mayor elevación.
La bomba no mantiene la carga	La altura de succión es demasiada*	Coloque la bomba más cerca de la fuente del líquido.
El cargado toma mucho tiempo	La línea de succión es muy larga.	Vea la sección de "Encendido" bajo Funcionamiento.
	Hay bolsas de aire o fugas en la línea de succión	Vea que no haya conexiones flojas en la línea.

TABLA PARA SOLUCIONAR PROBLEMAS

PROBLEMAS	CAUSAS	SOLUCIONES
La bomba no funciona tan bien como debería	El flujo está restringido debido a:	
	a) Acumulación de desperdicios.	a) Limpie las líneas y los acoplamientos.
	b) Válvula(s) fallada o semi abierta.	b) Asegúrese que las válvulas estén funcionando bien
	c) Las tuberías/mangueras usadas son más pequeñas que el tamaño de rosca de la bomba	c) Aumente el tamaño de la tubería/manguera para reducir la pérdida por fricción.
	El extremo de la línea de succión no está sumergida lo suficiente.	El extremo de la línea de succión debe estar sumergido.
	El propulsor está excesivamente gastado**.	Reemplace el propulsor.
	El sello está dañado***. Habrá fuga de líquido por el medio del adaptador.	Reemplace el sello.
	Hay bolsas de aire o fugas en la línea de succión.	Revise la línea de succión.
Propulsor atorado.	Quite el cuerpo de la bomba para limpiar.	
La bomba pierde la carga	El nivel del líquido baja por debajo del extremo de la línea de succión.	Aumente el largo de la línea de succión o coloque la bomba más cerca de la fuente del líquido.

*La altura de succión excesiva debe tener en cuenta:

- a) El tamaño y largo de la tubería
- b) Densidad y temperatura del líquido
- c) Acoplamientos de la tubería
- d) Elevación sobre el nivel del mar

Incluyendo todo lo anterior, recomendamos que el total de la altura de succión total no exceda los 25 pies.

**Un propulsor excesivamente desgastado es causado principalmente por cavitación, lo cual puede ser causado por un número de situaciones.

Ejemplos:

- a) Succión restringida
- b) Altura de succión excesiva

***El sello puede estar dañado debido a:

- a) Desgaste normal
- b) Recalentamiento
- c) Bombeo de químicos para los que el sello no está diseñado

SERVICIO AL CLIENTE:
Línea directa: 1-800-667-1457

RED LION
51 Burmac Road, P.O. Box 429
Winnipeg, Manitoba, Canada
R3C 3E4

Teléfono: (877) 337-2650

Fax: (204) 255-5214

www.redlionproducts.com

GARANTÍA LIMITADA:

Para consideraciones de la garantía, Franklin Electric Company, Inc. y sus subsidiarios (denominada de ahora en adelante "la Compañía"), garantiza que los productos especificados en esta garantía están libres de defectos en los materiales y en la mano de obra de la Compañía. Durante el período, y sujeto a los términos estipulados en este documento, la Compañía reparará o reemplazará al cliente o usuario original cualquier parte del producto que presente defectos materiales o de fabricación atribuibles a la compañía. En todo momento, la Compañía tendrá y poseerá el único derecho y opción de determinar si repara o reemplaza el equipo, piezas o componentes defectuosos. La Compañía tiene la opción de inspeccionar cualquier producto devuelto bajo los términos de la garantía para confirmar que esté cubierto por la garantía antes de aprobar la reparación o reemplazo según la garantía. Esta garantía constituye la única obligación de la Compañía y es el único recurso que tiene el cliente si el producto tiene defectos. Devuelva el producto defectuoso al sitio de compra para que sea considerado bajo la garantía.

DURACIÓN DE LA GARANTÍA – PRODUCTOS: 12 meses a partir de la fecha de compra por el cliente. (Los cepillos, el impulsor o la leva en los modelos con motor de cepillo y/o los impulsores de aletas flexibles no están cubiertos por la garantía.) En caso de que no exista un comprobante adecuado de la fecha de compra, el período efectivo de esta garantía comenzará a partir de la fecha de fabricación del producto.

MANO DE OBRA Y OTROS COSTOS: La Compañía DE NINGUNA MANERA será responsable por el costo de la mano de obra en el campo u otros cargos en que incurra cualquier cliente al retirar y/o instalar algún producto, pieza o componente.

MEJORAS AL PRODUCTO: La Compañía se reserva el derecho de cambiar o mejorar sus productos, o cualquier parte de los mismos, sin que por ello tenga la obligación de realizar dicho cambio o mejora en las unidades vendidas y/o despachadas con anterioridad.

TÉRMINOS Y CONDICIONES GENERALES: Esta garantía no tiene efecto si los daños se deben a fuerza mayor, desgaste por uso normal, servicios de mantenimiento normal y la piezas utilizadas para dicho servicio, rayos o condiciones que estén fuera del alcance de la Compañía, como tampoco tendrá vigencia en aquellos productos que, a criterio exclusivo de la Compañía, hayan sido sujetos a negligencia, maltrato, accidente, mal uso, manipulación indebida, alteración o instalación, funcionamiento, mantenimiento o almacenamiento indebidos, o si se sobrepasan los valores máximos recomendados, estipulados en estas instrucciones.

Esta garantía quedará ANULADA si se hallan cualesquiera de las siguientes condiciones:

1. El producto se utiliza para propósitos distintos a aquellos para los cuales fue diseñado y fabricado
2. El producto no fue instalado de conformidad con las normas, reglamentos y prácticas comerciales aceptadas
3. La bomba funcionó sin líquido (se cortó el suministro de líquido)
4. Cubierta del motor abierta o producto desarmado por el cliente.

EXENCIÓN DE RESPONSABILIDAD: Toda afirmación verbal con respecto al producto, por parte del vendedor, la Compañía, los representantes o cualquier otra parte, no constituye garantía alguna, no debe ser considerada como tal por el usuario y no forma parte del contrato de venta. La única obligación del vendedor y la Compañía, y el único recurso del comprador, será el reemplazo y/o reparación que hará la Compañía del producto, tal como se describió anteriormente. NI EL VENDEDOR NI LA COMPAÑÍA SERÁN RESPONSABLES POR CUALQUIER LESIÓN, PÉRDIDA O DAÑO DIRECTO, INCIDENTAL O INDIRECTO (LO QUE INCLUYE, SIN LIMITACIÓN, DAÑOS INCIDENTALES O INDIRECTOS POR PÉRDIDA DE GANANCIAS, DE VENTAS, LESIONES PERSONALES O MATERIALES, O CUALQUIER OTRO DAÑO INCIDENTAL O INDIRECTO) QUE RESULTARA DEL USO O INCAPACIDAD DE USAR EL PRODUCTO, Y EL USUARIO ACUERDA QUE NO HAY NINGÚN OTRO RECURSO. Antes de usarlo, el usuario deberá determinar la idoneidad del producto para el uso propuesto y asumirá todos los riesgos y toda la responsabilidad que ello implique. LA GARANTÍA Y RECURSO DESCRITOS EN ESTA GARANTÍA LIMITADA REPRESENTAN UNA GARANTÍA Y RECURSO EXCLUSIVOS Y SE OFRECEN EN LUGAR DE CUALQUIER OTRA GARANTÍA O RECURSO, EXPLÍCITO O IMPLÍCITO. POR EL PRESENTE, SE EXCLUYEN EXPLÍCITAMENTE OTRAS GARANTÍAS Y RECURSOS, INCLUSO, PERO SIN LIMITARSE A CUALQUIER GARANTÍA IMPLÍCITA DE COMERCIALIZACIÓN O IDONEIDAD PARA UN PROPÓSITO ESPECÍFICO. EN LA MEDIDA EN QUE CORRESPONDA A UN PRODUCTO, LA GARANTÍA ESTARÁ LIMITADA EN DURACIÓN A LOS PERÍODOS DE LAS GARANTÍAS EXPRESAS DESCRITAS ANTERIORMENTE. Algunos estados y países no permiten la exclusión o las limitaciones sobre la duración de las garantías implícitas ni la exclusión o limitación de responsabilidades por daños incidentales o indirectos, por lo que puede que las exclusiones o limitaciones anteriores no correspondan en su caso particular. Esta garantía le otorga a usted derechos legales específicos y es posible que usted también tenga otros derechos que varían según el estado o país.

RED LION