

RED LION MODEL • MODÈLE • MODELO

P. O. Box 12010
Oklahoma City, OK 73157-2010
888.956.0000 • Fax: 405.228.1561
www.RedLionProducts.com

MPFV12

MPFV12CAMO

EN INTRODUCTION

This instruction sheet provides you with the information required to safely own and operate your Red Lion pump. Retain these instructions for future reference.

The Red Lion pump you have purchased is of the highest quality workmanship and material, and has been engineered to give you long and reliable service. Red Lion pumps are carefully tested, inspected, and packaged to ensure safe delivery and operation. Please examine your pump carefully to ensure that no damage occurred during shipment. If damage has occurred, please contact the place of purchase. They will assist you in replacement or repair, if required.

READ THESE INSTRUCTIONS CAREFULLY BEFORE ATTEMPTING TO INSTALL, OPERATE, OR SERVICE YOUR Red Lion PUMP. KNOW THE PUMP'S APPLICATION, LIMITATIONS, AND POTENTIAL HAZARDS. PROTECT YOURSELF AND OTHERS BY OBSERVING ALL SAFETY INFORMATION. FAILURE TO COMPLY WITH THESE INSTRUCTIONS COULD RESULT IN PERSONAL INJURY AND/OR PROPERTY DAMAGE!

SAFETY GUIDELINES



During installation, follow all local electrical and safety codes, as well as the National Electrical Code (NEC) and the Occupational Safety and Health Act (OSHA).

For maximum safety, this pump should be connected to a three-prong grounded outlet equipped with a ground fault circuit interrupter (GFCI) device.

Do not use to pump flammable or explosive fluids such as gasoline, fuel oil, kerosene, etc. Pump should only be used with liquids compatible with pump component materials. Do not use in explosive atmospheres or hazardous locations as classified by the NEC, ANSI/NFPA70. Failure to follow this warning can result in property damage, personal injury, or death.

Do not handle a pump or pump motor with wet hands or when standing on a wet or damp surface, or in water. Do not stand in water while changing fuses or insert your finger into the fuse socket. When a pump is in a basin or otherwise submerged, do not touch the motor, pipes, or water until power is removed from unit. If shut-off box is not accessible, call the electric company to shut service to the house, or call your local fire department for instructions. Failure to follow this warning can result in fatal electrical shock.

Drain all liquids and release all pressure within the system before servicing the pump or any component.

Make certain that the unit is disconnected from the power source before attempting to service or remove any component. If the power disconnect is out-of-sight, lock it in the open position and tag it to prevent unexpected application of power.

Do not touch an operating motor. Modern motors are designed to operate at high temperatures.

Provide adequate protection and guarding around moving parts. Secure the discharge line before starting the pump. An unsecured discharge line will whip, possibly causing personal injury and/or property damage.

Periodically inspect pump and system components. Regularly check hoses for weakness or wear, making certain that all connections are secure. Perform routine maintenance as required and in accordance with the Service Instructions section.

Provide a means of pressure relief for pumps whose discharge line can be shut-off or obstructed.

Wear safety glasses at all times when working with pumps.

The pump is not submersible and is intended for open-air use only. Do not submerge motor or mount pump in a location where motor will come in contact with water. This pump is not designed for use in showers, hot tubs, spas, pools, or other potentially wet locations. Installing this pump in such an application could result in personal injury or death.

Do not add acid or electrolyte to a battery being used—add only water. Consult the battery manufacturer for any additional safety instructions.

DESCRIPTION

This Red Lion pump is designed for general, commercial, and industrial applications. This pump may be used for transferring liquids and emptying or filling tanks, sinks or bowls. It can be used to pump bilge water, but must not be located in the bilge area. It is self-priming to 7 ft. if the impeller is initially wet (primed). A carrying handle is included.

NOTE: Unit is NOT RECOMMENDED for use with soap detergents, gasoline, waste oil, fuel oil, flammable, explosive or combustible liquids or other fluids not compatible with pump component materials. Do not use unit in enclosed areas. Intermittent duty only (15 minutes per hour).

SPECIFICATIONS

Power supply required 12 VDC
Fuse requirement 7 amps
Fluid temperature range 40°F - 140°F
Duty cycle 15 minutes per hour

ELECTRICAL CONNECTIONS



Check the pump label for proper voltage required. Do not connect the pump to any voltage other than that shown.

When attaching pump leads to battery terminals, be sure that the area (bilge of a boat, for instance) is adequately ventilated to prevent an explosion or fire from explosive or flammable vapors that may be present.

Batteries emit hydrogen gas that is explosive. Avoid smoking, sparks or open flame anywhere in the vicinity of the battery.

An explosion from the battery can cause blindness. Shield your eyes when working near any battery.

Batteries contain sulfuric acid. In case of contact with eyes, skin, or clothing flush immediately with large amounts of water and seek medical attention.

Protect electrical cord from sharp objects, hot surfaces, oil and chemicals. Avoid kinking the cord. Replace or repair damaged or worn cords immediately.

Installation and wiring should be done by an electrician or serviceman familiar with this pump and equipment (car, trailer, boat, etc.) that this pump is going to be used in or with.

This pump is not equipped with an inline fuse. Because of the wide variety of applications and mounting situations, an inline fuse has not been permanently installed. In order to provide adequate protection for the motor, an inline fuse and fuse holder MUST be installed. The pump warranty does not cover motor damage caused by overheating. For maximum protection, a fuse of 7 amps is suggested. Fuses and fuse holders are readily available in most hardware, auto, and home improvement stores.

1. Connect the pump's red positive or plus (+) lead to the positive or plus (+) terminal of the battery.
2. If pump is to be connected to battery that is installed in a vehicle, connect the pump's negative or minus (-) lead to a ground away from the battery, such as the metal of the vehicle, the negative wiring terminal strip, or other negative common point of the battery (away from the battery), if so equipped. Always connect the black negative (-) lead last.
3. When disconnecting the pump from the battery, remove the negative (-) lead from the grounded location first, then disconnect the positive (+) lead from the battery.
4. When using leads longer than those supplied, ensure that the wire is adequately sized:

Distance From Power Source To Motor	Recommended Wire Size
1 – 12 Ft.	#14
13 – 24 Ft.	#12
25 – 36 Ft.	#10

INSTALLATION



WARNING: In any installations where property damage and/or personal injury might result from an inoperative or leaking pump due to power outages, discharge line blockage, or any other reason, a backup system(s) should be used. In order to safely use this product, familiarize yourself with this pump and also with the liquid (chemical, etc.) that is going to be pumped through the unit. This pump is not suitable for many liquids.

1. Pump should be placed as close to source of liquid and power as possible, not more than 7 feet above liquid source and not more than 36 feet from power source.
2. Use reinforced plastic or fabric tubing or metal pipe for the suction side of the pump. This will prevent collapse of the suction piping. Discharge piping should never be larger than suction piping!
3. Attach suction line piping to the suction inlet and discharge line piping to the discharge outlet.
4. Avoid using looped sections of pipe that might permit air to become entrapped.
5. Piping should be checked for any leaks at the connections. Small leaks in suction line greatly reduce efficiency of pump and may prevent priming. Pump should be permanently mounted; never operate a pump unless it is secured to a solid foundation.
6. Do not operate pump dry. Impeller and mechanical seal damage will result.
7. Protect pump from extreme heat, cold, and humidity. This unit is not waterproof and is not intended to be used in showers, saunas, or other potentially wet locations.
8. The motor is designed to be used in a clean, dry location with access to an adequate supply of cooling air. Ambient temperature around the motor should not exceed 104°F (40°C). For outdoor installations, motor must be protected by a cover that does not block airflow to and around the motor. This unit is not weatherproof, nor is it able to be submersed in water or any other liquid. Do not use in or near swimming pool or spa.
9. Install a foot valve and prime pump when suction lift is over six feet or when suction line is longer than six feet.
10. When used in a boat, pump should not be installed in the bilge.

OPERATION



WARNING: Disconnect battery when making adjustments and repairs. First remove the battery NEGATIVE (-) ground cable, then lastly the battery POSITIVE (+) cable.

1. Pumps are self-priming and should prime themselves within 30 seconds after pump is started. Wetting impeller with pumped fluid and keeping the impeller coated with petroleum jelly will lengthen its life and improve priming action. Running the impeller dry for as short as 30 seconds can ruin the impeller. Keep suction line as short as possible.

NOTE: An easy way to prime the pump (wet the impeller), if using a garden hose, is to fill the discharge hose; elevate the discharge hose slightly to retain water and start the pump. Another method would be to disconnect the discharge hose from the pump, making a U-bend of the discharge hose. Fill the hose then reconnect (without losing the water) to the pump. In both cases the water behind the impeller will seal the pump and it will prime almost immediately.

2. Pump is equipped with a 12-volt DC motor.
 - a. To operate, the motor must be connected to a 12-volt battery in good condition,

such as the type used in cars, trucks, boats, etc. Motor will run in either direction. Therefore, connect the red wire to the POSITIVE (+) terminal of the battery, the black wire to the NEGATIVE (-) terminal of the battery to have the flow correspond with the arrow on the cover plate. By reversing the wires to the battery, the pump will discharge from the opposite port.

- b. Low voltage may cause critical overheating and premature failures. To avoid this, be sure battery voltage is maintained, and observe recommended wire size during installation. The motor is splash proof, but not waterproof. DO NOT SUBMERGE.
3. Liquid temperatures should not exceed 140°F nor go below 40°F to protect flexible impeller.
4. **CAUTION:** Do not run pump dry. Dry running (without liquid) for more than 30 seconds will permanently damage the impeller. For best results pumps should be primed initially to protect impeller. Be sure to turn off pump when liquid supply is exhausted.
5. Do not run at heads greater than 35 feet (15psig).

SERVICE INSTRUCTIONS



1. **WARNING:** Disconnect from 12-volt power source before servicing or inspecting pump for any reason. Failure to do this could result in personal injury. First remove the battery NEGATIVE (-) ground cable, then lastly the battery POSITIVE (+) cable.
2. Always drain pump when not in use.
3. If pump is not going to be used for a month or longer, flush with fresh water and remove body cover, take impeller out, clean inside body and apply generous coating of petroleum jelly to both inside body and impeller before replacing impeller in body.
4. Pump should be checked daily, weekly, monthly, etc., for proper operation. If anything has changed since unit was new, unit should be removed and repaired or replaced. Only qualified electricians or servicemen should attempt to repair this unit. Improper repair and/or assembly can cause an electrical shock hazard.
5. **TO REPLACE IMPELLER:** Replace impeller when it has become worn or damaged.
 - a. Remove cover plate mounting screws.
 - b. Remove cover plate and cover plate gasket.
 - c. Slide damaged or worn impeller off motor shaft.
 - d. Clean the inside of the pump head and the cover gasket sealing surface. Make certain that there are no foreign materials that would obstruct the impeller's operation.
 - e. Apply petroleum jelly or similar lubricant to the inside of the pump head and the outside diameter of the impeller.
 - f. Align the flat on the inside of the impeller shaft bore with the flat on the motor shaft. Push the impeller into place, while twisting the impeller vanes in a clockwise rotation.
 - g. Place new gasket on pump head face, align holes and replace cover.
 - h. Tighten cover plate mounting screws evenly and snugly.

FR INTRODUCTION

Elle concerne en particulier les modèles standard de chaque série ainsi que les modèles des séries non listées par numéro de catalogue sur la liste des pièces de rechange. Si le numéro de catalogue de la pompe achetée ne fait pas partie de la liste des pièces de rechange, certaines précautions seront à prendre lors des commandes de pièces de rechange. Ne pas oublier d'indiquer le numéro du catalogue sur le bon de commande.

La qualité d'exécution et les matériaux du modèle Red Lion acheté sont parfaits. Cette pompe a été conçue pour fonctionner sans problèmes, de façon durable. Les pompes Red Lion ont été emballées et testées avec soin pour procurer à l'acquéreur un fonctionnement et un rendement sûrs. A la réception, veiller à examiner attentivement la pompe afin de s'assurer qu'aucune pièce n'a été endommagée pendant le transport. Si tel n'est pas le cas, prendre note des dommages et aviser le distributeur chez qui la pompe a été achetée afin de la faire réparer ou d'obtenir son remplacement.

LIRE ATTENTIVEMENT LE MODE D'EMPLOI AVANT L'INSTALLATION, L'UTILISATION OU L'ENTRETIEN DE LA POMPE RED LION. PRENDRE ATTENTIVEMENT CONNAISSANCE DES POSSIBILITES D'UTILISATION, DES RESTRICTIONS ET DES DANGERS S'Y RATTACHANT. ASSURER SA PROPRE PROTECTION ET CELLES DES AUTRES EN OBSERVANT TOUTES LES DIRECTIVES DE SECURITE. LE NON-RESPECT DE CES DIRECTIVES POURRAIT ETRE LA CAUSE DE BLESSURES OU DE DOMMAGES MATERIELS. CONSERVER LE MODE D'EMPLOI POUR UN USAGE ULTERIEUR.

DESCRIPTION

La pompe Red Lion a été conçue pour un usage commercial et industriel. L'unité a été mise au point afin de fonctionner avec de l'eau mais n'est pas submersible. Elle sert à transférer des liquides, à vider ou à remplir des réservoirs, des éviers ou des lavabos, etc. La pompe peut être utilisée pour enlever l'eau de bouchain, mais la pompe ne doit pas être localisée dans le domaine de bouchain. La pompe s'auto-amorce à 2,1 mètres si la roue a été mouillée au préalable (amorcée). La pompe marine est une pompe à service intermittent. La poignée de transport est fournie avec la pompe.

REMARQUE : Il n'est PAS RECOMMANDÉ d'utiliser cette pompe afin de pomper du savon, des détergents, de l'essence, de l'huile usée, du mazout ou tout liquide ne s'avérant pas compatible avec les matériaux composant la pompe. N'utilisez pas cette pompe à l'intérieur. Cette pompe est à service intermittent uniquement (15 minutes par heure).

SPECIFICATIONS

Alimentation Requite: 12VDC
 Fusible requis: 7 ampères
 Température max. du liquide: 60°C
 Température min. du liquide: 4°C
 Cycle de service: 15 minutes par l'heure

DIRECTIVES DE SÉCURITÉ



AVERTISSEMENT : Ne pas utiliser pour pomper des liquides inflammables ou explosifs tels que l'essence, le mazout, le kérosène, etc. Ne pas utiliser dans des atmosphères inflammables et/ou explosives. La pompe devrait toujours être utilisée avec des liquides compatibles avec les matériaux la composant. Le non-respect de cette mise en garde risque d'entraîner des blessures et ou des dommages matériels.

1. Prendre connaissance des applications de la pompe, de ses limites et des risques potentiels.
2. **AVERTISSEMENT :** Ne manipulez pas une pompe ou un moteur de pompe avec des mains mouillées ou lorsque vous vous trouvez debout sur une surface mouillée ou humide, ou dans l'eau.
3. Cette pompe n'est pas une pompe submersible et doit être utilisée à l'air libre uniquement.
4. Assurez-vous que la source d'alimentation a été déconnectée avant d'effectuer toute réparation ou tout entretien courant. Si l'interrupteur de mise hors tension est hors de vue, verrouillez-le en position "marche" et étiquetez-le afin d'éviter toute mise sous tension accidentelle.
5. Libérez toute la pression du système avant toute réparation ou tout service d'entretien courant d'un composant.
6. Vidangez tout le liquide contenu dans le système avant d'effectuer tout service d'entretien courant.
7. Ne pas rajouter d'acide ni d'électrolyte à une batterie en fonctionnement—ajouter uniquement de l'eau. Consulter le fabricant de la batterie pour des plus amples informations concernant la sécurité.
8. Ne touchez pas un moteur en fonctionnement. Les moteurs modernes sont conçus afin de pouvoir fonctionner à des températures élevées.
9. Assurer une protection efficace autour des pièces mobiles. Fixez le tuyau de refoulement avant de démarrer la pompe. En effet, une ligne de refoulement non fixée se mettra à fouetter et risque de se crever ou d'entraîner des dégâts matériels et/ou des blessures corporelles.
10. Vérifiez que les tuyaux ne comportent pas de traces d'usure ni de fuite en vous assurant que les raccords sont tous bien serrés.
11. Inspectez régulièrement la pompe et les composants du système. Effectuez l'entretien courant comme indiqué.
12. Équipez les pompes dont la ligne de refoulement peut être coupée ou obstruée d'une soupape de surpression.
13. Sécurité Personnelle: Portez des lunettes de protection à tout moment lorsque vous travaillez avec des pompes.

CONNEXIONS ÉLECTRIQUES



1. Veillez à ce que la source de courant ou le générateur d'énergie soit conforme aux spécifications de votre équipement.
2. Lorsque vous effectuez les connexions d'une pompe électrique, veillez à suivre les codes électriques: le Code Électrique National (NEC), les codes et ordonnances de votre localité les plus récents et les critères édictés par l'Inspection du Travail (Occupational Safety and Health Act—OSHA) des États-Unis.
3. L'installation et la câblage doit être effectué par un électricien ou du personnel qualifié et connaissant ce genre de pompe et l'équipement (voiture, caravane, bateau, etc.) avec lequel vous comptez l'utiliser.
4. Notre modèle de Potent Pump ne comporte pas de fusibles montés sur conducteurs. En raison de la grande variété d'applications et des diverses situations de montage reconstruites, nous n'avons pas installé de fusible monté de façon permanente sur conducteur. Afin de protéger correctement votre moteur 12 volts, un fusible monté sur conducteur et un porte-fusible DOIVENT être installés. La garantie de votre pompe ne couvre pas de dégât survenu suite à toute surchauffe. Pour une protection maximum, il est recommandé d'utiliser un fusible de 7 ampères. Les fusibles et les porte-fusibles sont disponibles auprès de la plupart des quincailleries et autres magasins pour pièces automobiles et centres d'équipement ménager.
5. INSTRUCTIONS GÉNÉRALES CONCERNANT LES CONNEXIONS à une batterie de 12VCC.
 - a. Connectez tout d'abord le fil POSITIF ou PLUS (+) de la pompe à la batterie. Le fil POSITIF de la pompe est rouge.
 - b. Si pompe va être connectée à batterie qui est installée dans un véhicule, connecter NÉGATIF (-) à un sol éloigné de la pile, tel que le métal du véhicule ou la borne de raccordement négative ou autre point commun négatif de la batterie (éloigné de la batterie), si a équipé. Veillez à toujours connecter le fil NÉGATIF (-) en dernier. Le fil NÉGATIF de la pompe est noir.
 - c. Lorsque vous DÉCONNECTEZ - Déconnectez le fil NÉGATIF (-) de la masse en premier, puis déconnectez le fil POSITIF (+) de la batterie.
6. Lorsque vous raccordez les fils de la pompes aux bornes de la batterie, veillez à ce que la dite zone (cale d'un bateau par exemple) possède une ventilation adéquate afin d'éviter tout risque d'explosion ou d'incendie provoqué par des vapeurs inflammables.
 - a. Les batteries émettent de l'hydrogène. Ce gaz est explosif. Évitez de fumer, de provoquer des étincelles ou d'approcher une flamme nue à proximité d'une batterie.
 - b. L'EXPLOSION d'une batterie risque d'entraîner la cécité. Protégez-vous les yeux lorsque vous travaillez à proximité d'une batterie.
 - c. Les batteries contiennent de l'acide sulfurique. En cas de contact avec les yeux, la peau ou les vêtements, RINCEZ IMMÉDIATEMENT ET ABONDAMMENT A L'EAU; CONTACTEZ UN MÉDECIN.

7. Veillez à ce que le cordon électrique n'entre pas en contact avec des objets pointus, des surfaces chaudes, de l'huile ou des produits chimiques. Évitez de tordre le cordon. Remplacez ou réparez immédiatement tout cordon usé ou endommagé.
8. Lorsque vous utilisez des fils plus longs que ceux fournis, veillez à ce que le fil soit d'un calibre adéquat (Voir Utilisation).

Distance de la Source d'Alimentation au Moteur

Calibre de Fil Recommandé

3,0 à 3,7 m.	# 14
3,8 à 7,4 m.	# 12
7,5 à 10,9 m.	# 10

INSTALLATION

AVERTISSEMENT : Pour toute installation où des dégâts matériels ou des blessures corporelles sont à prévoir en cas de défaillance d'une pompe suite une panne de courant, une fuite ou une obstruction au niveau de la ligne de refoulement, ou pour toute autre raison, veillez à utiliser un ou plusieurs dispositifs de secours. Pour utiliser ce produit en toute sécurité, il est nécessaire de se familiariser avec la pompe et aussi avec le liquide (produit chimique, etc.) qui sera pompé. Cette pompe n'est pas adaptée pour certains liquides.

1. Placez la pompe le plus près possible de la source de liquide, pas plus de 2,1 mètres au-dessus de la source de liquide et pas plus de 10,9 mètres de la source d'alimentation.
2. Utilisez un tuyau en plastique ou en tissu renforcé ou un tuyau métallique pour le côté de la pompe réservé à l'aspiration afin d'éviter que le tuyau ne s'aplatisse ou ne se perce. La tuyauterie de refoulement ne devrait jamais être plus large que celle de l'aspiration!
3. Fixez la tuyauterie d'aspiration à l'entrée et la tuyauterie de refoulement à la sortie d'évacuation.
4. Évitez d'utiliser des sections à courbes car de l'air risque d'y demeurer bloqué.
5. Vérifiez la tuyauterie afin de vous assurer que les raccords ne présentent pas de fuites. Toute fuite au niveau de la ligne d'aspiration réduira le rendement de la pompe et risque d'empêcher son amorçage. La pompe doit toujours être correctement fixée; n'utilisez jamais une pompe à moins qu'elle ne soit fixée à une solide fondation.
6. N'utilisez pas la pompe à sec car vous risquez d'endommager la roue et la garniture mécanique.
7. Protégez la pompe des extrêmes de chaleur, de froid, et d'humidité. Cette pompe n'est pas étanche est n'est pas sensée être utilisée dans des douches, saunas, ou autre endroit susceptible d'être mouillé.
8. Le moteur a été conçu afin d'être utilisé dans un endroit propre et sec et ayant accès à une source d'air frais. La température ambiante autour du moteur ne devrait jamais dépasser 40°C. Pour toute installation à l'extérieur, le moteur devrait être protégé par un cache de protection ne gênant pas l'arrivée d'air autour du moteur. Cette unité n'est pas étanche et ne doit pas être immergée dans l'eau ou tout autre liquide. Ne pas utiliser cette pompe dans une piscine ou une cuve thermale ou à proximité de ces dernières.
9. Installez un clapet de pied et amorcez la pompe lorsque la hauteur de pompage est supérieure et longeur à 1,8 mètre.
10. Si utilisée à bord d'un bateau, la pompe ne devrait pas être installée dans la cale.

FONCTIONNEMENT



AVERTISSEMENT : Déconnectez la batterie lorsque vous effectuez des réglages et des réparations. Retirez tout d'abord le fil de terre de la batterie, puis le fil "sous tension" en dernier.

1. Les pompes s'auto-amorcent et devraient s'amorcer dans les 30 secondes suivant le démarrage de la pompe. Le fait de mouiller la roue avec du liquide pompé et en maintenant cette dernière recouverte de vaseline allongera sa durée de vie et facilitera l'amorçage. Il suffit de 30 secondes d'un fonctionnement à sec pour endommager la pompe. Veillez à conserver la ligne d'aspiration la plus courte possible.

REMARQUE : La façon la plus facile d'amorcer la pompe (mouiller la roue) si vous utilisez un tuyau d'arrosage est de remplir le tuyau de refoulement; relevez légèrement le tuyau de refoulement afin de retenir de l'eau et démarrer la pompe. Une autre méthode consiste à débrancher le tuyau de refoulement de la pompe, faire une courbe en U avec le tuyau de refoulement, remplir le tuyau puis le raccorder à nouveau (sans perdre d'eau) à la pompe. Dans les deux cas l'eau derrière la roue scellera la pompe et cette dernière s'amorcera presque immédiatement.

2. La pompe est équipée avec un moteur de CC 12 volt.
 - a. Pour que le moteur fonctionne, ce dernier doit être connecté à une batterie en bon état. Utilisez une batterie du même type que celles utilisées pour les voitures, les camions, les bateaux, etc. Le moteur fonctionnera indifféremment dans un sens ou dans l'autre. Par conséquent, connectez le fil rouge à la borne positive (+) de la batterie, le fil noir à la borne négative (-) de la batterie afin de le flux corresponde au sens de la flèche figurant sur la plaque du couvercle. En inversant les fils de la batterie, la pompe refoulera par l'orifice opposé.
 - b. Une tension basse risque de provoquer une dangereuse surchauffe et une défaillance prématurée de la pompe. Pour éviter cela, veillez à ce que la tension de la batterie soit maintenue et respectez le calibre de fil à utiliser lors de l'installation. Le moteur est protégé contre les éclaboussures mais n'est pas étanche. NE PAS IMMÉRGER.
3. Veillez à ne pas pomper de liquides dont la température dépasse 60°C ou est inférieure à 4°C afin de ne pas endommager la roue flexible.
4. **ATTENTION :** Ne pas faire fonctionner la pompe à sec. Il suffit de 30 secondes d'un fonctionnement à sec pour endommager la roue de manière irréversible. Pour un résultat optimum, les pompes doivent être amorcées lorsque vous les utilisez pour la première fois afin de protéger la roue. Veillez à bien arrêter la pompe lorsque la source de liquide est épuisée.
5. Ne pas opérer la pompe aux de la hauteur de pompage plus grandes que 35 pieds (15 psig).

DIRECTIVES D'ENTRETIEN



1. Déconnectez la pompe de la source d'alimentation de 12 volts avant tout entretien courant de la pompe ou toute inspection. Le non-respect de ces consignes risque d'entraîner des blessures corporelles. Déconnectez la batterie lorsque vous effectuez des réglages et des réparations. Retirez tout d'abord le fil de terre de la batterie, puis le fil "sous tension" en dernier.
2. Veillez à toujours vidanger la pompe lorsque vous ne l'utilisez pas.
3. Si vous ne comptez pas utiliser la pompe pendant au moins un mois, rincez-la à l'eau douce et retirez le couvercle du corps de la pompe, retirez la roue, nettoyez l'intérieur et appliquez une bonne couche de vaseline à l'intérieur du corps et sur la roue avant de replacer la roue dans le corps.
4. Vérifiez la pompe quotidiennement, de façon hebdomadaire et mensuelle etc. afin de vous assurer de son bon fonctionnement. Si vous remarquez un changement quelconque, retirez l'unité et remplacez ou réparez-la. Seul un électricien ou du personnel qualifié devrait tenter de réparer cette unité. Toute réparation ou assemblage incorrects risque de provoquer une électrocution.
5. **POUR REMPLACER ROUE:** Remplacer roue quand il est devenu porté ou endommagé.
 - a. Enlever plaque-couvercle monter les vis.
 - b. Enlever le joint de plaque-couvercle et plaque-couvercle.
 - c. Glisser a endommagé ou roue porté de l'arbre de moteur.
 - d. Nettoyer l'intérieur de la tête de pompe et la couverture le joint sceller surface. Faire certain qu'il n'y a pas de corps étranger qu'encombrerait le roue l'opération de s.
 - e. Appliquer la gelée de pétrole ou le lubrifiant similaire à l'intérieur de la tête de pompe et l'hors du diamètre du roue.
 - f. Aligner le plat sur l'intérieur du raseur d'arbre de roue avec le plat sur l'arbre de moteur. Pousser le roue à sa place, en tordant les camionnettes de roue dans une rotation dans le sens des aiguilles d'une montre.
 - g. L'endroit nouveau joint sur la tête de pompe fait face à, aligne des trous et remplace couvre.
 - h. Resserrer plaque-couvercle monter les vis également et bien ajusté.

ES INTRODUCCIÓN

Adjunta a su bomba Red Lion, se encuentra una hoja de instrucciones que le proporciona la información necesaria para poseer y hacer funcionar sin peligro su bomba Red Lion. La hoja de instrucciones abarca principalmente los modelos corrientes de cada serie de bombas. El formulario es aplicable a los demás modelos de la serie, que no aparecen enunciados por número de catálogo en la sección de la lista de piezas de repuesto de la hoja de instrucciones. Si el número de catálogo de su bomba no aparece en la sección de la lista de piezas de repuesto, debe procederse con precaución al ordenar piezas de repuesto. Al ordenar piezas de repuesto, indique siempre el número de catálogo de su bomba.

Los materiales y la mano de obra de la unidad Red Lion que usted ha adquirido, son óptimos. Se ha fabricado para servirle sin tropiezos durante largo tiempo. Las bombas Red Lion se embalan, inspeccionan y prueban cuidadosamente, para garantizar un funcionamiento y una entrega sin peligro. Cuando reciba su bomba, examínela cuidadosamente, para verificar que durante el transporte no se haya roto ni averiado ninguna pieza. Si encuentra algún daño, tome nota de él, e informe a la firma de la cual adquirió la bomba; ella le ayudará a cambiarla o repararla, si es necesario.

LEA CUIDADOSAMENTE LAS INSTRUCCIONES, ANTES DE INTENTAR INSTALAR, HACER FUNCIONAR O REPARAR LA BOMBA RED LION. CONOZCA LOS USOS, LIMITACIONES Y PELIGROS POTENCIALES DE LA BOMBA. PROTEJASE Y PROTEJA A LOS DEMAS, OBSERVANDO TODAS LAS NORMAS DE SEGURIDAD. SI NO SE OBEDECEN LAS INSTRUCCIONES, PUEDEN PRODUCIRSE LESIONES, DAÑOS MATERIALES O AMBOS. CONSERVE LAS INSTRUCCIONES PARA CONSULTARLAS EN EL FUTURO.

DESCRIPCIÓN

La bomba de Red Lion ha sido diseñada para uso comercial e industrial en general. La unidad es para agua pero no es sumergible. Use esta bomba para transferir líquidos, vaciar o llenar tanques, fregaderos o tazones. La bomba se puede usar para quitar pantoque agua, pero la bomba no se debe localizar en el área de pantoque. La característica de autocebado funciona con una máxima de 2,1 metros si el impulsor ha sido cebado previamente (mojado). Se incluye la agarradera de transporte.

NOTA: NO SE RECOMIENDA usar la unidad con detergentes jabonosos; gasolina; aceite desechado; petróleo combustible; líquidos inflamables, explosivos o combustibles; ni con otros fluidos que no son compatibles con los materiales de los componentes de la bomba. Esta unidad no se debe usar en áreas encerradas. Servicio de bombeo intermitente (15 minutos por hora).

ESPECIFICACIONES

Energía eléctrica requerida: 12VDC
 Requisitos de fusibles: 7 amperios
 Temperatura máx. del líquido: 60°C
 Temperatura mín. del líquido: 4°C
 Ciclo de servicio: 15 minutos por hora

NORMAS DE SEGURIDAD



ADVERTENCIA : No la use para bombear fluidos inflamables o explosivos tales como gasolina, aceite combustible, queroseno, etc. No la use en atmósferas inflamables y/o explosivas. La bomba solo debe usarse con líquidos compatibles con los materiales componentes de la bomba. El no observar esta advertencia puede tener como resultado lesiones personales y daños materiales.

1. Conozca las aplicaciones, limitaciones y riesgos potenciales de la bomba.
2. **ADVERTENCIA:** No maneje la bomba ni el motor de la bomba con las manos húmedas cuando este parado en una superficie húmeda o mojada, o en el agua.
3. Esta bomba no es una bomba sumergible y se debe usar al aire libre solamente.
4. Desconecte la energía eléctrica antes de dar servicio al sistema. Si el punta de desconexión de la energía está fuera del alcance de la vista, asegure el interruptor en posición abierta y coloque una etiqueta de advertencia para evitar la aplicación inadvertida de energía.
5. Libere toda la presión dentro del sistema antes de dar servicio a cualquier componente.
6. Drene todos los líquidos del sistema antes de darle mantenimiento.
7. No agregue ácido o electrolito a una batería que esta siendo utilizada—agregue agua solamente. Consulte al fabricante de la batería para información adicional de seguridad.
8. No toque el motor cuando esté en operación. Los motores modernos están diseñados para operar a altas temperaturas.
9. Asegure la línea de descarga antes de dar arranque a la bomba. Una línea de descarga suelta puede brincar dando un latigazo, y causar lesiones personales y daños materiales o rotura de la tubería.
10. Revise las mangueras para ver si están débiles o gastadas antes de cada uso, asegurándose de que todas las conexiones estén firmes.
11. Periódicamente revise la bomba y los componentes del sistema. Lleve a cabo el mantenimiento de rutina según sea necesario.
12. Suministre un sistema de alivio de presión en bombas cuya línea de descarga pueda cerrarse u obstruirse.
13. Seguridad Personal: Use anteojos de seguridad siempre que trabaje en la bomba.

CONEXIONES ELECTRICAS



1. Asegúrese de que la fuente de energía (motor eléctrico o a gasolina) cumpla con los requisitos de su equipo.
2. Cuando esté alambando una bomba movida por electricidad, cumpla con todos los códigos eléctricos y de seguridad, así como con el Código Eléctrico Nacional (NEC en EE.UU. más reciente y el de Occupational Safety and Health Act—OSHA).
3. Todo el cableado lo debe hacer un electricista o técnico de servicio calificado familiarizado con este tipo de bomba y el equipo (automóvil, caravana, barco, etc.) a bordo del cual cuenta utilizar la bomba.
4. Nuestra bomba Potent Pump no está equipada con fusibles en línea. Debido a la amplia gama de aplicaciones y posibilidades de montaje, no hemos instalado permanentemente ningún fusible en línea. Para suministrar una protección adecuada al motor de 12 voltios, ES NECESARIO instalar primero un fusible en línea y un portafusibles. La garantía de su bomba no cubre los daños al motor debidos a sobrecalentamiento. Sugerimos un fusible de 7 amperios para una protección máxima. Los fusibles y los portafusibles se encuentran normalmente disponibles en la mayoría de las ferreterías y tiendas de accesorios automotrices y para el hogar.
5. INFORMACION GENERAL DE CONEXION con una batería de 12VDC.
 - a. Primero conecte el cable POSITIVO (+) de la bomba con la batería. El cable POSITIVO de la bomba es de color rojo.
 - b. Si bomba deberá ser conectada a la batería que se instala en un vehículo, conecte el cable NEGATIVO (-) a tierra en un punto alejado de la batería, como por ejemplo el metal del vehículo o el terminal de alambado negativo o con otro punto común negativo (-) de la batería (alejado de la batería), si ésta está equipada de tal modo. Siempre conecte el cable NEGATIVO (-) por último. El cable NEGATIVO de la bomba es de color negro.
 - c. **AL DESCONECTAR**—Desconecte el cable NEGATIVO (-) del punta de conexión a tierra. Después desconecte el cable POSITIVO (+) de la batería.
6. Al instalar los cables de la bomba en los terminales de la batería, asegúrese de que el área (por ejemplo: pantoque de una embarcación) esté ventilada adecuadamente para evitar una explosión o un incendio debido a los vapores explosivos o inflamables que pudieran estar presentes.
 - a. Las baterías emiten hidrógeno gaseoso, el cual es explosivo. Evite fumar, las chispas o las llamas abiertas en todos los puntos cercanos a la batería.
 - b. Una EXPLOSION de la batería puede causar la ceguera. Protéjase los ojos al trabajar cerca de cualquier batería.
 - c. Las baterías contienen ácido sulfúrico. En caso de contacto con los ojos, la piel o la ropa, ENJUAGUESE INMEDIATAMENTE CON BASTANTE AGUA; OBTENGA ATENCION MEDICA.
7. Proteja el cordón eléctrico de objetos afilados, superficies calientes, aceites y químicos. Evite que el cordón se doble o retuerza. Reemplace o repare inmediatamente los cables dañados o gastados.
8. Al usar cables más largos de los que se suministran, asegúrese de que éstos sean del tamaño adecuado.

Distancia de la Fuente de Alimentación al Moteur	Tamaño de Cable Recomendado
3,0 a 3,7 m.	#14
3,8 a 7,4 m.	#12
7,5 a 10,9 m.	#10

INSTALACIÓN

ADVERTENCIA : En todas las instalaciones donde puedan ocurrir daños materiales o lesiones personales debido a que la bomba no esta operando por interrupción de la energía, congelación de la línea de descarga o cualquier otra razón, se deben usar sistemas de respaldo. Para usar en forma segura este producto familiarícese con la bomba y el líquido (químico, etc.) que va a bombear. La bomba puede no ser apropiada para manejar ciertos líquidos.

1. La bomba debe ser colocada lo más cerca de la fuente de líquido y corriente que sea posible, no más de 2,1 metros por encima de la fuente de líquido y no más de 10,9 m desde la fuente de corriente.

2. Use manguera de plástico o de tela para la tubería de succión, ésta debe ser del tipo reforzado de manera que no se colapse con la succión. La tubería de descarga nunca debe ser más larga que la tubería de succión!
3. Instale una tubería de línea de succión en la entrada de succión y descargue la tubería de la línea en dirección a la salida de descarga.
4. Evite usar curvas, secciones de tubería que puedan ocasionar que el aire quede atrapado.
5. Las tuberías deben ser inspeccionadas para ver si existen fugas en las conexiones. Las fugas pequeñas en la línea de succión reducen considerablemente la eficiencia de la bomba, y podrían imposibilitar el cebado. Nunca opere la unidad a menos de que se encuentre en un cimiento sólido.
6. No opere la bomba en seco, pues puede dañar permanentemente el sella mecánico y el impulsor.
7. La unidad debe quedar protegida de las inclemencias del tiempo y de los extremos de calor, frío y humedad. Esta unidad no es a prueba de agua y no ha sido diseñada para ser usada en duchas, saunas, u otras ubicaciones potencialmente húmedas.
8. El motor está diseñado para usarse en una ubicación limpia y seca, con acceso a un suministro adecuado de aire de enfriamiento. La temperatura ambiente alrededor del motor no debe sobrepasar de 104°F (40°C). En las instalaciones al aire libre, el motor debe quedar protegido con una cubierta que no obstruya el flujo de aire hacia el motor y alrededor del mismo. Esta unidad no es a prueba de agua, y tampoco puede ser sumergida en el agua ni en ningún otro líquido. No la use en piscinas o tinas ni cerca de las mismas.
9. Instale una válvula de pie y ceba la bomba cuando el alzamiento de succión excede 1,8 m o cuando la línea de succión es de más de 1,8 m.
10. Al usarla en una embarcación, la bomba no debe ser instalada en pantoques.

FUNCIONAMIENTO



ADVERTENCIA : Desconecte la batería al realizar ajustes o reparaciones. Primero quite el cable de conexión a tierra de la batería, y por último el cable “cargado” de la batería.

1. Estas bombas son unidades de autocebado y se deben cebar a sí mismas dentro de un período de 30 segundos después de arrancar la bomba. El mojar el impulsor con el fluido bombeado mejora la acción cebadora. El hacer que el impulsor funcione en seco por 30 segundos o mas puede dañar el impulsor. El mantener al impulsor con una capa de petrolato aumentará su durabilidad. El impulsor necesita la aplicación de una capa solamente para el cebado inicial. Mantenga la línea de succión lo más corta que sea posible.

NOTA: Una manera fácil de cebar la bomba (impulsor mojado), si se utiliza una manguera de jardín, consiste en llenar la manguera de descarga: eleve un poco la manguera de descarga (para retener el agua) y arranque la bomba. Otro método consiste en desconectar la manguera de descarga de la bomba, formando una doblez en U en la manguera de descarga. Llène la manguera y conéctela nuevamente a la bomba sin dejar escapar el agua. En ambos casos, el agua detrás del impulsor sellará la bomba y ésta cebará casi inmediatamente.
2. La bomba se equipa con un motor del 12 voltios DC.
 - a. Para operar el motor, éste debe estar conectado a una batería de 12 voltios en buen estado, del tipo utilizado en automóviles, camiones, embarcaciones, etc. El motor funcionará en cualquiera de las dos direcciones. Por lo tanto, conecte el cable rojo con el terminal Positivo (+) de la batería y el cable negro con el terminal Negativo (-) de la batería para que la dirección o flujo corresponda con la flecha en la placa de la tapa. La bomba descargará a través del orificio opuesto al invertir los cables conectados con la batería.
 - b. La tensión baja podría causar un sobrecalentamiento crítico y crear fallas prematuras. Para evitar esto, asegúrese de mantener la tensión de la batería y use cables del tamaño recomendado durante la instalación. El motor es a prueba de salpicaduras, pero no a prueba de agua. NO LO SUMERJA.
3. La temperatura del líquido no debe superar los 60°C o ser inferior a 4°C para no dañar el impulsor flexible.
4. **PRECAUCION :** No permita que la bomba funcione en seco. La operación en seco (sin líquido) durante más de 30 segundos danará permanentemente el impulsor. Asegúrese de apagar la bomba cuando el suministro de líquido se haya agotado.
5. No opere bomba en la altura de alzamiento más que 35 pies (15 psig).

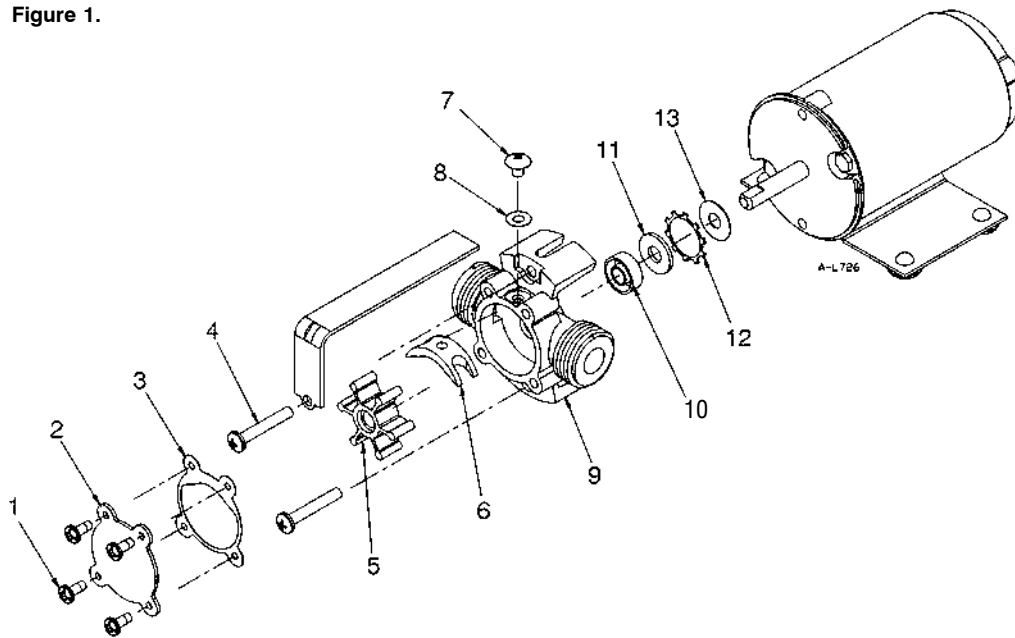
INSTRUCCIONES DE SERVICIO



1. **ADVERTENCIA:** Desconecte la bomba de la fuente de corriente de 12 voltios antes de suministrar servicio o inspeccionar la bomba por cualquier razón. El no hacerlo podría resultar en lesiones personales. Primero quite el cable de conexión a tierra de la batería, y por último el cable “cargado” de la batería.
2. Drene todos los líquidos de la bomba cuando no la usa.
3. Si no piensa utilizar la bomba durante un mes por lo menos, límpiela con agua potable. Luego drene el agua y retire la tapa del cuerpo de la bomba, quite el impulsor, limpie el interior del cuerpo, y aplique una capa de petrolato en la superficie del impulsor y dentro del cuerpo antes de colocar el impulsor en el cuerpo nuevamente.
4. La bomba debe revisarse diariamente, semanalmente, mensualmente, etc. para asegurarse de que la operación es adecuada. Si el funcionamiento de la unidad ha cambiado con respecto a su operación cuando nueva, la unidad debe removerse y repararse o reemplazarse. Solo electricistas o técnicos de servicio calificados deben intentar reparar esta unidad. Una reparación o un ensamble inadecuados pueden ser causa de riesgo de choque eléctrico

5. Para REEMPLAZAR IMPULSOR: Reemplaza impeller cuando ha llegado a ser llevado o dañado.
 - a. Quite la cubierta los tornillos de montar de plato.
 - b. Quite la cubierta plato y junta de culata de plato de cubierta.
 - c. El resbaladero dañado o impulsor llevado de túnel motriz.
 - d. Limpie el interior de la cabeza de bomba y la superficie de sellar de junta de culata de cubierta. Acerciore que no hay las materias extranjeras que obstruirían la operación del impulsor.
 - e. Aplique petróleo la jalea o lubricante semejante al interior de la cabeza de bomba y el diámetro exterior del impulsor.
 - f. Alinee la planicie en el interior del túnel de impulsor taladra con la planicie en el túnel motriz. Empuje el impulsor en el lugar, al torcer las veletas de impeller en una a la derecha rotación.
 - g. Coloque junta de culata nueva en la cara de cabeza de bomba, alinee hoyos y reemplace la cubierta.
 - h. Apriete los tornillos de montar de plato de cubierta uniformemente y cómodamente.

Figure 1.



Item No.	Description	Repair Kits	
		555713 PPIK-1S	555714 PPISK-1S
1	Cover Screw	N/A	N/A
2	Cover	N/A	N/A
3	Cover Gasket	2	2
4	Pump Head Screw	N/A	N/A
5	Impeller	2	2
6	Metal Cam	N/A	N/A
7	Cam Screw	N/A	N/A
8	Cam Screw Gasket	N/A	N/A
9	Volute Housing	N/A	N/A
10	Buna Shaft Seal	N/A	1
11	Felt Washer	N/A	1
12	Seal Retainer	N/A	1
13	Slinger Washer	N/A	1

**TROUBLESHOOTING INFORMATION • INFORMATION SUR LA RELÈVE DES DÉRANGEMENTS
• INFORMACION DE INVESTIGACION DE AVERIAS**

PROBLEM • FONCTIONNEMENT DÉFECTUEUX • PROBLEMA	PROBABLE CAUSES • CAUSES PROBABLES • CAUSAS PROBABLES	CORRECTIVE ACTIONS • SOLUTIONS • SOLUCION
<ul style="list-style-type: none"> • Pump will not run • La pompe ne fonctionne pas • La bomba no funciona 	No power or incorrect voltage • Aucune électricité ou aucune tension inexacte • No hay corriente eléctrica	Supply correct voltage • La provision tension exacte • El suministro corrige el voltaje
	Brushes worn out • Balais usés • Las escobillas están gastadas	Replace defective part • Remplacer la partie défectueuse • Reemplace la parte defectuosa
	Motor has open circuit • Circuit ouvert au niveau du moteur • Hay un circuito abierto al nivel del motor	Replace defective part • Remplacer la partie défectueuse • Reemplace la parte defectuosa
	Motor overheated • Le moteur surchauffe • El motor sobrecalienta	If motor has auto-resetting thermal protector, wait 15 minutes for motor to cool • Si le moteur a auto remettre à l'état initial le protecteur thermique, attendre 15 minutes pour le moteur pour refroidir • Si el motor tiene reponer de auto protector térmico, espere 15 minutos para el motor para refrescar
<ul style="list-style-type: none"> • Pump runs but no fluid is pumped • La pompe fonctionne mais ne pompe pas de liquide • La bomba gira pero no bombea líquido 	Air leak or kink in hose • Fuite d'air au niveau du tuyau d'aspiration • Entrada de aire en la línea de succión	Repair or replace • Réparer ou remplacer • Repárela o reemplázela
	Defective cam or impeller • Roue défectueuse • La leva o el impulsor están gastados	Replace defective part • Remplacer la partie défectueuse • Reemplace la parte defectuosa
	Suction lift too high • Hauteur d'aspiration trop élevée • La altura de succión es excesiva	Lower pump • Abaisser la pompe • Baje la bomba
	Inlet clogged • Orifice d'entrée bouche • El puerto de entrada está atascado	Clean inlet • Nettoyer l'arrivée • Limpie la cala
	Pump too far from liquid • La pompe est trop éloignée du liquide • Bomba colocada demasiado lejos de la fuente de líquido	Relocate pump • Déplacer • Ubíquela en una mejor posición
<ul style="list-style-type: none"> • Pump will not prime or retain prime after operating • La pompe ne s'amorce pas ou ne retient pas le liquide après utilisation • La bomba no ceba o no retiene la ceba después de operar 	Air leak or kink in hose • Fuite d'air au niveau du tuyau d'aspiration • Entrada de aire en la línea de succión	Repair or replace • Réparer ou remplacer • Repárela o reemplázela
	Defective cam or impeller • Roue défectueuse • La leva o el impulsor están gastados	Replace defective part • Remplacer la partie défectueuse • Reemplace la parte defectuosa
	Seal worn • Garniture usée • Sello gastado	Replace defective part • Remplacer la partie défectueuse • Reemplace la parte defectuosa
	Gasket leaking • Le joint fuit • Fugas en el empaque	Replace defective part • Remplacer la partie défectueuse • Reemplace la parte defectuosa
	Groove worn in shaft at seal area • La rainure de l'arbre est usée au niveau de la garniture • La ranura del eje está gastada at nivel el sello	Replace defective part • Remplacer la partie défectueuse • Reemplace la parte defectuosa
	Suction lift too high • Hauteur d'aspiration trop élevée • La altura de succión es excesiva	Lower pump • Abaisser la pompe • Baje la bomba
<ul style="list-style-type: none"> • Flow rate is low • Faible débit • La velocidad de flujo es baja 	Air leak or kink in hose • Fuite d'air au niveau du tuyau d'aspiration • Entrada de aire en la línea de succión	Repair or replace • Réparer ou remplacer • Repárela o reemplázela
	Defective cam or impeller • Came ou roue défectueuse • La leva o el impulsor están gastados	Replace defective part • Remplacer la partie défectueuse • Reemplace la parte defectuosa
	Incorrect voltage • Tension incorrecte • Voltaje inapropiado	Supply correct voltage • La provision tension exacte • El suministro corrige el voltaje
	Inlet clogged • Orifice d'entrée bouche • El puerto de entrada está atascado	Clean inlet • Nettoyer l'arrivée • Limpie la cala
<ul style="list-style-type: none"> • Shaft seal leaks • La garniture fuit • Escapes en el sello 	Seal worn • Garniture usée • Sello gastado	Replace defective part • Remplacer la partie défectueuse • Reemplace la parte defectuosa
	Groove worn in shaft at seal area • Arbre rainure • El eje está ranurado	Replace defective part • Remplacer la partie défectueuse • Reemplace la parte defectuosa
	Pump head loose on motor • La fixation de la tête de pompe sur le moteur est desserrée • El cabeza no queda sujetado firmemente al motor	Repair • Réparer • Repare
<ul style="list-style-type: none"> • Motor runs too hot • Le moteur chauffe • El motor sobrecalienta 	Incorrect voltage • Tension incorrecte • Voltaje inapropiado	Supply correct voltage • La provision tension exacte • El suministro corrige el voltaje
	Excessive discharge pressure • Pression de refoulement excessive • La presión de descarga es excesiva	Reduce pressure • Réduire la pression • Disminuya la presión
	Impeller swollen • La roue est déformée • El impulsor está deformado	Replace defective part • Remplacer la partie défectueuse • Reemplace la parte defectuosa
	Liquid too viscous • Le liquide est trop visqueux • El líquido es demasiado viscoso	Reduce viscosity of liquid • Diminuer la viscosité du liquide • Reduzca la viscosidad
	Obstruction or kink in hose • Le tuyau d'évacuation est bouché ou plié • La línea de descarga está obstruida o retorcida	Repair or replace • Réparer ou remplacer • Repárela o reemplázela
	Insufficient air flow on motor • Flux d'air insuffisant au moteur • Flujo de aire insuficiente alrededor del motor	Be sure ample fresh air is available at the motor • Veiller à ce qu'il y ait suffisamment d'air frais au niveau du moteur • Asegúrese de que haya un flujo de aire suficiente alrededor del motor

LIMITED WARRANTY

For warranty consideration, Franklin Electric Company, Inc. (hereafter "the Company") warrants that the products specified in this warranty are free from defects in material or workmanship of the Company. During the time periods and subject to the terms and conditions hereinafter set forth, the Company will repair or replace to the original user or consumer any portion of this product which proves defective due to materials or workmanship of the Company. At all times the Company shall have and possess the sole right and option to determine whether to repair or replace defective equipment, parts, or components. The Company has the option to inspect any product returned under warranty to confirm that the warranty applies before repair or replacement under warranty is approved. This warranty sets forth the Company's sole obligation and purchaser's exclusive remedy for defective product. Return defective product to the place of purchase for warranty consideration.

WARRANTY PERIOD - PRODUCTS: 12 months from date of purchase by the user. (No warranty on brushes, impeller or cam on models with brush-type motors and/or flex-vane impellers.) In the absence of suitable proof of the purchase date, the effective period of this warranty will begin on the product's date of manufacture.

LABOR, ETC. COSTS: The Company shall IN NO EVENT be responsible or liable for the cost of field labor or other charges incurred by any customer in removing and/or affixing any product, part, or component thereof.

PRODUCT IMPROVEMENTS: The Company reserves the right to change or improve its products or any portions thereof without being obligated to provide such a change or improvement for units sold and/or shipped prior to such change or improvement.

GENERAL TERMS AND CONDITIONS: This warranty shall not apply to damage due to acts of God, normal wear and tear, normal maintenance services and the parts used in connection with such service, lightning or conditions beyond the control of the Company, nor shall it apply to products which, in the sole judgment of the Company, have been subject to negligence, abuse, accident, misapplication, tampering, alteration; nor due to improper installation, operation, maintenance or storage; nor to excess of recommended maximums as set forth in the instructions.

Warranty will be VOID if any of the following conditions are found:

1. Product is used for purposes other than those for which it was designed and manufactured
2. Product not installed in accordance with applicable codes, ordinances, and good trade practices
3. Product connected to voltage other than indicated on nameplate
4. Pump used to circulate anything other than fresh water at approximately room temperature
5. Pump allowed to operate dry (fluid supply cut off)
6. Sealed motor housing opened or product dismantled by customer
7. Cord cut off to a length less than three feet

DISCLAIMER: Any oral statements about the product made by the seller, the Company, the representatives, or any other parties do not constitute warranties, shall not be relied upon by the user, and are not part of the contract for sale. Seller's and the Company's only obligation, and buyer's only remedy, shall be the replacement and/or repair by the Company of the product as described above. **NEITHER SELLER NOR THE COMPANY SHALL BE LIABLE FOR ANY INJURY, LOSS OR DAMAGE, DIRECT, INCIDENTAL OR CONSEQUENTIAL (INCLUDING, BUT NOT LIMITED TO, INCIDENTAL OR CONSEQUENTIAL DAMAGES FOR LOST PROFITS, LOST SALES, INJURY TO PERSON OR PROPERTY, OR ANY OTHER INCIDENTAL OR CONSEQUENTIAL LOSS), ARISING OUT OF THE USE OR THE INABILITY TO USE THE PRODUCT, AND THE USER AGREES THAT NO OTHER REMEDY SHALL BE AVAILABLE TO IT.** Before using, the user shall determine the suitability of the product for his intended use, and user assumes all risk and liability whatsoever in connection therewith. **THE WARRANTY AND REMEDY DESCRIBED IN THIS LIMITED WARRANTY IS AN EXCLUSIVE WARRANTY AND REMEDY AND IS IN LIEU OF ANY OTHER WARRANTY OR REMEDY, EXPRESSED OR IMPLIED, WHICH OTHER WARRANTIES AND REMEDIES ARE HEREBY EXPRESSLY EXCLUDED, INCLUDING BUT NOT LIMITED TO ANY IMPLIED WARRANTY OF MERCHANTABILITY OR FITNESS FOR A PARTICULAR PURPOSE, TO THE EXTENT EITHER APPLIES TO A PRODUCT SHALL BE LIMITED IN DURATION TO THE PERIODS OF THE EXPRESSED WARRANTIES GIVEN ABOVE.** Some states and countries do not allow the exclusion or limitations on how long an implied warranty lasts or the exclusion or limitation of incidental or consequential damages, so the above exclusion or limitations may not apply to you. This warranty gives you specific legal rights, and you may also have other rights which vary from state to state and country to country.

GARANTIE LIMITÉE

Lors des requêtes en garantie, Franklin Electric Company, Inc. (ci-après appelée « l'Entreprise ») garantit les produits spécifiés dans cette garantie contre tout défaut de matériaux et de main-d'œuvre. Pendant les périodes couvertes par la garantie et selon les conditions indiquées dans la présente, l'Entreprise réparera ou remplacera toute partie de ce produit présentant une défaillance liée aux matériaux ou à la main-d'œuvre, et ce uniquement auprès du premier utilisateur ou acheteur. En tout temps, l'Entreprise conserve le droit et l'option de déterminer si un équipement, des pièces ou des composants défectueux doivent être réparés ou remplacés. L'Entreprise peut inspecter tout produit sous garantie qui lui est retourné afin de confirmer que la garantie s'applique, avant d'approuver la réparation ou le remplacement. Cette garantie stipule l'unique obligation de l'Entreprise et le recours exclusif de l'acheteur pour un produit défectueux. Retourner le produit défectueux au détaillant pour les requêtes en garantie.

PÉRIODE DE GARANTIE – PRODUITS : 12 mois à partir de la date d'achat par l'utilisateur. (Aucune garantie n'est offerte pour les balais, le rotor ou la came sur les modèles avec moteur à balais et/ou rotor flexible à palettes.) En l'absence d'une preuve adéquate de la date d'achat, la période d'application commencera à partir de la date de fabrication.

COÛTS DE MAIN-D'ŒUVRE, ETC. : EN AUCUN CAS l'Entreprise ne pourra être tenue responsable du coût de la main-d'œuvre ou d'autres frais encourus par un client lors de la dépose et/ou de la réparation d'un produit, d'une partie ou d'un composant.

AMÉLIORATIONS DU PRODUIT : L'Entreprise se réserve le droit de modifier ou d'améliorer ses produits, ou une quelconque de leur partie, sans obligation de fournir une telle modification ou amélioration aux appareils déjà vendus et/ou expédiés avant que de telles modifications ou améliorations n'aient été apportées.

CONDITIONS ET MODALITÉS GÉNÉRALES : Cette garantie ne couvre pas les dommages causés par une catastrophe naturelle, l'usure normale, la foudre ou des conditions hors du

contrôle de l'Entreprise; et elle ne couvre pas non plus les services d'entretien normaux et aux pièces usées associés à un tel service, ni les produits qui, selon le jugement exclusif de l'Entreprise, ont été exposés à la négligence, l'abus, un accident, une application inappropriée, une altération, une modification; ni aux dommages causés par une installation, une utilisation, un entretien ou un entreposage inadéquat; ni à une utilisation au-delà des maximums recommandés, comme il est indiqué dans les instructions.

La garantie est NULLE si l'une des conditions suivantes s'applique :

1. Le produit est utilisé pour des applications autres que celles pour lesquelles il a été conçu et fabriqué.
2. Le produit n'est pas installé dans le respect des codes et règlements applicables et selon les bonnes pratiques acceptées dans l'industrie.
3. Le produit a été branché à une tension autre que celle indiquée sur la plaque signalétique.
4. La pompe a été utilisée avec des liquides autres que de l'eau douce approximativement à la température ambiante.
5. La pompe a fonctionné à sec (alimentation en liquide coupée).
6. Le carter moteur scellé a été ouvert ou le produit a été démonté par le client.
7. Le cordon a été coupé à une longueur inférieure à 0,9 m (3 pieds).

AVIS DE NON-RESPONSABILITÉ : Toute déclaration verbale portant sur le produit, faite par le vendeur, l'Entreprise, les représentants ou toute autre partie ne constitue pas une garantie et ne peut être considérée par l'utilisateur comme faisant partie du contrat de vente. La seule obligation du vendeur ou de l'Entreprise et le seul recours de l'acheteur est le remplacement et/ou la réparation du produit par l'Entreprise, comme il est décrit ci-dessus. **LE VENDEUR OU L'ENTREPRISE NE PEUT ÊTRE TENU RESPONSABLE POUR TOUTE BLESSURE, PERTE OU DOMMAGE DIRECT, INDIRECT OU CONSÉCUTIF (INCLUANT MAIS SANS S'Y LIMITER LES DOMMAGES INDIRECTS OU CONSÉCUTIFS LIÉS À UNE PERTE DE PROFITS, UNE PERTE DE VENTES, DES BLESSURES OU DES DOMMAGES MATÉRIELS, OU TOUT AUTRE INCIDENT OU PERTE CONSÉCUTIVE), RÉSULTANT DE L'UTILISATION OU DE L'IMPOSSIBILITÉ D'UTILISER LE PRODUIT; DE PLUS, L'UTILISATEUR ACCEPTE QU'AUCUN AUTRE RECOURS N'EST DISPONIBLE.** Avant de commencer à utiliser le produit, l'utilisateur doit déterminer si ce produit est adapté à l'usage prévu; et l'utilisateur assume tous les risques et toutes les responsabilités qui sont liés à cette utilisation. **LA GARANTIE ET LES MESURES CORRECTIVES DÉCRITES DANS LA PRÉSENTE GARANTIE LIMITÉE CONSTITUENT UNE GARANTIE ET DES MESURES CORRECTIVES EXCLUSIVES EN LIEU ET PLACE DE TOUTE AUTRE GARANTIE ET MESURE CORRECTIVE, EXPRESSE OU IMPLICITE; ET TOUTE AUTRE GARANTIE ET MESURE CORRECTIVE EST EXPRESSÉMENT EXCLUE, INCLUANT, MAIS SANS S'Y LIMITER, TOUTE GARANTIE IMPLICITE DE QUALITÉ MARCHANDE OU D'ADAPTATION À UN USAGE PARTICULIER.** Certaines juridictions et certains pays interdisent les exclusions ou les limitations de durée d'une garantie implicite ou l'exclusion ou la limitation des dommages indirects ou consécutifs; les limitations ou exclusions ci-dessus pourraient donc ne pas s'appliquer à votre cas. Cette garantie vous donne des droits légaux spécifiques et vous pourriez également jouir d'autres droits qui varient selon la juridiction ou les pays.

GARANTÍA LIMITADA

Para consideraciones de la garantía, Franklin Electric Company, Inc. (denominada de ahora en adelante "la Compañía"), garantiza que los productos especificados en esta garantía están libres de defectos en los materiales y en la mano de obra de la Compañía. Durante el período, y sujeto a los términos estipulados en este documento, la Compañía reparará o reemplazará al cliente o usuario original cualquier parte del producto que presente defectos materiales o de fabricación atribuibles a la compañía. En todo momento, la Compañía tendrá y poseerá el único derecho y opción de determinar si repara o reemplaza el equipo, piezas o componentes defectuosos. La Compañía tiene la opción de inspeccionar cualquier producto devuelto bajo los términos de la garantía para confirmar que esté cubierto por la garantía antes aprobar la reparación o reemplazo según la garantía. Esta garantía constituye la única obligación de la Compañía y es el único recurso que tiene el cliente si el producto tiene defectos. Devuelva el producto defectuoso al sitio de compra para que sea considerado bajo la garantía.

DURACIÓN DE LA GARANTÍA – PRODUCTOS: 12 meses a partir de la fecha de compra por el cliente. (Los cepillos, el impulsor o la leva en los modelos con motor de cepillo y/o los impulsores de aletas flexibles no están cubiertos por la garantía.) En caso de que no exista un comprobante adecuado de la fecha de compra, el período efectivo de esta garantía comenzará a partir de la fecha de fabricación del producto.

MANO DE OBRA Y OTROS COSTOS: La Compañía DE NINGUNA MANERA será responsable por el costo de la mano de obra en el campo u otros cargos en que incurra cualquier cliente al retirar y/o instalar algún producto, pieza o componente.

MEJORAS AL PRODUCTO: La Compañía se reserva el derecho de cambiar o mejorar sus productos, o cualquier parte de los mismos, sin que por ello tenga la obligación de realizar dicho cambio o mejora en las unidades vendidas y/o despachadas con anterioridad.

TÉRMINOS Y CONDICIONES GENERALES: Esta garantía no tiene efecto si los daños se deben a fuerza mayor, desgaste por uso normal, servicios de mantenimiento normal y la piezas utilizadas para dicho servicio, rayos o condiciones que estén fuera del alcance de la Compañía, como tampoco tendrá vigencia en aquellos productos que, a criterio exclusivo de la Compañía, hayan sido sujetos a negligencia, maltrato, accidente, mal uso, manipulación indebida, alteración o instalación, funcionamiento, mantenimiento o almacenamiento indebidos, o si se sobrepasan los valores máximos recomendados, estipulados en estas instrucciones.

Esta garantía quedará ANULADA si se hallan cualesquiera de las siguientes condiciones:

1. El producto se utiliza para propósitos distintos a aquellos para los cuales fue diseñado y fabricado
2. El producto no fue instalado de conformidad con las normas, reglamentos y prácticas comerciales aceptadas
3. El producto se conecta a un voltaje distinto al que se indica en la placa de identificación
4. La bomba se utilizó con fluidos distintos al agua dulce a temperatura ambiente aproximadamente

5. La bomba funcionó sin líquido (se cortó el suministro de líquido)
6. El cliente abrió el alojamiento sellado del motor o desarmó el producto
7. El cable se cortó a un largo menor que 0,9 m (3 pies)

EXENCIÓN DE RESPONSABILIDAD: Toda afirmación verbal con respecto al producto, por parte del vendedor, la Compañía, los representantes o cualquier otra parte, no constituye garantía alguna, no debe ser considerada como tal por el usuario y no forma parte del contrato de venta. La única obligación del vendedor y la Compañía, y el único recurso del comprador, será el reemplazo y/o reparación que hará la Compañía del producto, tal como se describió anteriormente. NI EL VENDEDOR NI LA COMPAÑÍA SERÁN RESPONSABLES POR CUALQUIER LESIÓN, PÉRDIDA O DAÑO DIRECTO, INCIDENTAL O INDIRECTO (LO QUE INCLUYE, SIN LIMITACIÓN, DAÑOS INCIDENTALES O INDIRECTOS POR PÉRDIDA DE GANANCIAS, DE VENTAS, LESIONES PERSONALES O MATERIALES, O CUALQUIER OTRO DAÑO INCIDENTAL O INDIRECTO) QUE RESULTARA DEL USO O INCAPACIDAD DE USAR EL PRODUCTO, Y EL USUARIO ACUERDA QUE NO HAY NINGÚN OTRO

RECURSO. Antes de usarlo, el usuario deberá determinar la idoneidad del producto para el uso propuesto y asumirá todos los riesgos y toda la responsabilidad que ello implique. **LA GARANTÍA Y RECURSO DESCRITOS EN ESTA GARANTÍA LIMITADA REPRESENTAN UNA GARANTÍA Y RECURSO EXCLUSIVOS Y SE OFRECEN EN LUGAR DE CUALQUIER OTRA GARANTÍA O RECURSO, EXPLÍCITO O IMPLÍCITO. POR EL PRESENTE, SE EXCLUYEN EXPLÍCITAMENTE OTRAS GARANTÍAS Y RECURSOS, INCLUSO, PERO SIN LIMITARSE A CUALQUIER GARANTÍA IMPLÍCITA DE COMERCIALIZACIÓN O IDONEIDAD PARA UN PROPÓSITO ESPECÍFICO. EN LA MEDIDA EN QUE CORRESPONDA A UN PRODUCTO, LA GARANTÍA ESTARÁ LIMITADA EN DURACIÓN A LOS PERÍODOS DE LAS GARANTÍAS EXPRESAS DESCRITAS ANTERIORMENTE.** Algunos estados y países no permiten la exclusión o las limitaciones sobre la duración de las garantías implícitas ni la exclusión o limitación de responsabilidades por daños incidentales o indirectos, por lo que puede que las exclusiones o limitaciones anteriores no correspondan en su caso particular. Esta garantía le otorga a usted derechos legales específicos y es posible que usted también tenga otros derechos que varían según el estado o país.

**For technical assistance, parts, or repair,
please contact 1.888.956.0000**

**Pour l'aide technique, des parties ou la réparation,
entrez s'il vous plaît en contact 1.888.956.0000**

**Para la ayuda técnica, partes o la reparación,
por favor póngase en contacto 1.888.956.0000**

www.RedLionProducts.com
